



Professional IP Surveillance

Product Reference Guide



Crucial evidence. Always.™



Crucial evidence. Always.™

VIP Vision is the premier IP surveillance solution for enterprise and commercial applications. We believe that for CCTV to truly grant peace of mind, it must function seamlessly with your existing business operations. The VIP Vision range delivers powerful, scalable IP CCTV systems, with an emphasis on functionality, ease of use and ease of installation across the range.

VIP Vision has over 2,000 professionals in research and development, they are at the forefront of advanced surveillance technologies. Their constant pursuit of innovation delivers cutting edge products with high quality, performance and reliability.

The VIP Vision range offers professional video surveillance solutions for small projects through to large commercial, public sector and government level applications.

The comprehensive VIP Vision range offers 4 channel through to 256 channel high definition network video recorders. They are accompanied by a versatile selection of IP surveillance cameras, ranging from 1.3 megapixels to 5.0 megapixels resolution. The image resolution offered by a VIP Vision 5.0 megapixel IP camera is almost twelve times greater than the best traditional analogue CCTV cameras can offer. VIP Vision cameras come in a wide variety of compact domes and bullets; vandal resistant dome cameras; varifocal and motorised lens cameras; day/night and infrared cameras; and PTZ dome cameras.

Rest assured knowing you have usable video evidence when it matters most with VIP Vision IP surveillance.

Research Engineering and Manufacturing Centre





7 Great Reasons to Choose VIP Vision IP CCTV Surveillance



1. One easy to use interface. Up to 256 channels.

VIP Vision delivers complication-free surveillance solutions with unparalleled ease of use across the entire IP CCTV range. With a single, user-friendly graphical user interface used for each network video recorder, configuring a 256 channel system is no different to a 4 channel system.



2. Diverse selection of IP surveillance cameras.

The VIP Vision IP camera range is built to fit a wide scope of applications. Ranging from 1.3 megapixels to 5.0 megapixels resolution, VIP Vision cameras come in a wide variety of compact domes and bullets; vandal resistant dome cameras; varifocal and motorised lens cameras; day/night and infrared cameras; and PTZ dome cameras. They are supported by a large array of camera accessories, brackets and lenses.



3. Immediate HD surveillance - IP CCTV kits.

For instant deployment of high definition IP surveillance, you need look no further than VIP Vision IP CCTV kits. VIP Vision IP surveillance kits feature all the benefits of the standalone NVRs with notable inclusions such as: 1.3 megapixel bullet and dome IP cameras, pre-installed surveillance hard drives and all required cabling bundled in a retail ready package. VIP Vision IP CCTV kits are available in 4, 8 and 16 channel models.



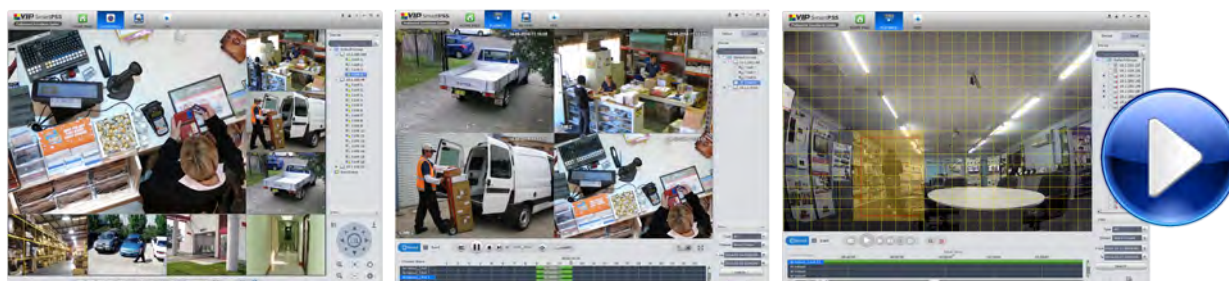
4. Goes beyond Full HD - record up to 5.0 megapixel.

The truth is in the detail. VIP Vision IP surveillance solutions offer up to 5.0 megapixels (2560 x 1920) of image resolution. This is almost twelve times greater than the best traditional analogue CCTV cameras can offer. Compare the above pictures: the composition on the left shows comparative sizes between 3.0 megapixels, 1.3 megapixels and D1 resolution. The composition on the right shows exported footage of the number plate, 3.0MP, 1.3MP to D1 (left to right).



5. Multiple Storage & Backup Options

Don't miss a moment with VIP Vision IP surveillance solutions. The standard 4 channel NVR from VIP Vision offers two internal SATA ports for up to 8TB capacity, which would provide up to 3 weeks of footage storage (3.0MP at 10fps). Larger systems scale to offer up to 64TB storage capacity. Export and backup of footage can be performed by USB device, over the network or via an internal DVD-RW burner, depending on the NVR model.



6. Intelligent record & search functions

You don't need to pay for licences to get intelligent record and search functions from your VIP Vision NVR. Extend the recording time of your HDDs by customising each camera to record by alarm or motion detection. Finding the footage you need has never been easier with smart search. Simply highlight an area of interest and press smart search to view all motion-detected footage in your highlighted area (available for standalone Linux NVRs & VIP Vision SmartPSS).



7. Comprehensive Remote View Capabilities

For complete peace of mind, VIP Vision enables you to take your surveillance system with you where ever you go. Each network video recorder features comprehensive remote view capabilities, compatible with iOS (iPhone & iPad), Google Android and Windows Phone devices. You can also configure remote view via QR code - simply scan the QR code on your VIP Vision NVR with the free DMSS app to remote view your CCTV system (only available for iOS & Android).



Integrate your surveillance system
with existing corporate networks





General Surveillance Management Centre

The General Surveillance Management Centre integrates allows remote control and management of 2000 channels of input video. It is ideal for installations covering large commercial or industrial sites with multiple recorder deployments. A central administrator can modify storage use, recording profiles and user accounts from one location.

Max. Support 500 Inputs
2000 CHANNELS

SUPPORT10000
Accounts Management

SUPPORT1000
Online Users

SUPPORT 700M
Transfer Capability

MAX. 200 CH
E-map On Screen



VIP Vision General Surveillance Management Centre

Part No: NVR-GSMC

- Support ONVIF, GB/T28181 standard protocol gateway connection
- Support intelligent device connection such as IVS-B/PC
- Support platform SDK
- Front panel can displays system service status
- Embedded device, 30*24 stable operation
- High-performance stream media transfer and storage capability
- Support tier and cascade deployment
- Support local storage and IP-SAN storage
- Support GIS map(Google, RasterMap)

***HDDs sold separately**

Specifications		
System	Main Processor	Intel Core Processor
	Operating System	Embedded Linux
Display	LCD Screen	Display system information and status. Include: system time, the system hardware information, platform service running state, etc
Data Management	Hard Disk	One system disk and 15 disks local storage (max support 4T HDD)
	Raid mode	Single,Raid0, Raid1, Raid5
Network	Ethernet Port	4 1000Mbps Ethernet port
Auxiliary	USB Interface	4 USB2.0 port
	RS232	1 port
General	Power Supply	100V~240V,47~63Hz, Hot-swappable
	Power Consumption	10W~200W(With HDD)
	Dimensions	526mm*485mm*135mm



Enterprise with ease.

Professional 64 Channel Network Video Recorder

Model: NVR64PRO

- Records up to 8.0 megapixel (3840x2160)
- Up to 192Mbps incoming bandwidth
- 16x SATA ports for up to 64TB of HDD capacity
- Easy hot-swap hard drive access
- HDMI & VGA simultaneous video output
- Supports RAID 0, 1 and 5 for redundancy
- Robust steel & aluminium alloy chassis
- Remote view for iOS, Android & Windows Phone



Professional 64 Channel Network Video Recorder

Model: NVR64PRO



Product Overview

The VIP Vision NVR64PRO is a 64 channel network video recorder, designed as a standalone, high capacity, customisable high definition IP surveillance solution. Purpose built for large surveillance installations, its steel and aluminium alloy 3U rackmount chassis has 16 SATA ports with hot-swap access for up to 64TB of hard drive storage. HDDs can be customised into RAID 0, RAID 1 and RAID 5 arrays for speed or redundancy.

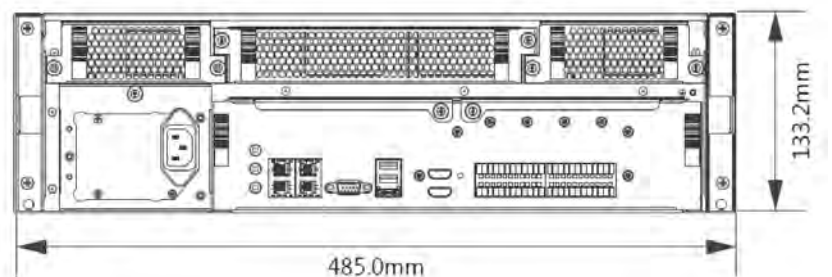
The NVR features up to 192Mbps incoming bandwidth and can record at resolutions beyond full HD video up to 8.0MP (3840 x 2160). The NVR64PRO also has four gigabit Ethernet ports for fast and reliable IP camera operation.

Adjusting recording settings, exporting footage and live viewing camera streams are performed through an easy to use user interface. When the internal storage is full, the NVR will automatically record over the oldest footage. Accessing footage and changing settings remotely is possible from a local PC or over the internet via the NVR web interface.

Smartphone and tablet remote viewing is available for iOS (iPhone, iPad), Google Android and Microsoft Windows Phone via free applications.

The NVR64PRO can backup footage to external USB devices, eSATA devices, as well as via the local network.

Specifications		
System	Main Processor	Intel® Core™ i3 Processor / 2GB DDR3 RAM
	Operating System	Embedded Linux
	Video Input	64 channel
	Two-way Talk	1 channel Mic in / 1 channel audio input & output
Display	Video Output	2 x HDMI / VGA (additional inputs optional)
	Resolution	1920 x 1080 / 1280 x 1024 / 1280 x 720 / 1024 x 768
	Display Split	1/4/8/9/16/25/36/64, five additional displays: 4
	OSD	Camera title, Time, Video loss, Camera lock, Motion detection
Recording	Video Compression	H.264 / MJPEG
	Resolution	8MP (3840x2160) / 5MP(2560x1920) / 3MP(2048x1536) / 1080P(1920x1080)
	Record Rate	Max. 192Mbps (eg. 64 channels 1.3MP at 3Mbps)
	Bit Rate	48~ 8192kbps
	Record Modes	Manual / Schedule (Regular [Continuous], MD, Alarm) / Stop
	Record Interval	1~120 min (default: 60 min) / Pre: 1~30s / Post: 10~300s
Detection	Alarm Input / Output	16 channels / 8 channels
	Trigger Events	Recording, PTZ, Tour, Alarm, Video Push, Email, FTP, Buzzer & Screen tips
	Video Detection	Motion Detection, MD Zones: 396(22x 18), Video Loss & Camera Blank
Playback & Backup	Sync Playback	1/4/9/16
	Search Modes	Time/Date, Alarm, MD & Exact search (accurate to second), Smart search
	Backup Modes	USB Device / Network / eSATA Device
Network	Ethernet	4 RJ-45 ports (10/100/1000Mbps)
	Power over Ethernet	N/A
	Network Functions	HTTP, TCP/IP, IPv4/IPv6, UPNP, RTSP, UDP, SMTP, NTP, DHCP, DNS, IP Filter, PPPoE, DDNS, FTP, Alarm Server, IP Search
	Max. User Access	20 users
	Remote View	iOS (iPhone, iPad) / Android devices / Windows Phone
Storage	Internal HDD	16 SATA hot-swappable ports, up to 64TB, RAID(0,1,5) / 1 eSATA port
Auxiliary	USB Interface	4 ports: 2 x Rear USB2.0 / 2 x Front USB2.0
	RS232	N/A
	RS485	1 port for PTZ control
General	Power Supply	100 ~ 240VAC, 50 ~ 60Hz
	Power Consumption	NVR: 60W (includes HDD)
	Operating Environment	-10 ~ 55°C / 10 ~ 80%RH / 2 x ball screw bearing fans
	Dimensions	485 x 448 x 133mm / 3U
	Weight	20kg (without HDD)



Your VIP Vision IP surveillance dealer:



High capacity, HD+ quality.

Professional 32 Channel Network Video Recorder

Model: NVR32PR0216P

- Records up to 5.0 megapixel (2560 x 1920)
- Up to 200Mbps incoming bandwidth
- 8x SATA ports for up to 32TB HDD capacity
- Remote view in seconds with setup via QR code
- HDMI & VGA simultaneous video output
- Built-in 16 port Power over Ethernet (PoE)
- Backup via USB device, network or DVD-RW
- Remote view for iOS, Android & Windows Phone



Professional 32 Channel Network Video Recorder



Model: NVR32PRO216P



Product Overview

The VIP Vision NVR32PRO216P is a 32 channel network video recorder, designed as an immediate and customisable high definition IP surveillance solution. Installation of HD IP CCTV is simple with the NVR32PRO216P. It features a built-in 16 port Power over Ethernet (PoE) switch, supplying camera power, video, audio and PTZ control data across a single ethernet cable.

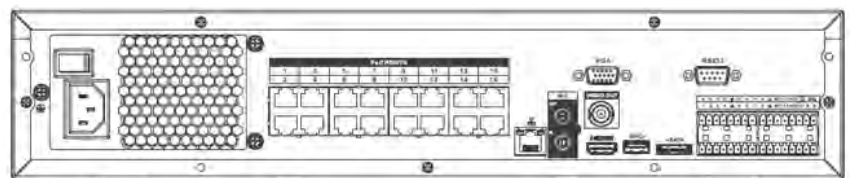
The NVR supports up to 200Mbps incoming bandwidth and can record at resolutions beyond full HD video up to 5.0MP (2560 x 1920). Adjusting recording settings, exporting footage and live viewing camera streams are performed through an easy to use user interface.

This NVR supports up to 32TB of internal storage and features continuous recording. When the internal storage is full, the NVR will automatically record over the oldest footage. Accessing footage and changing settings remotely is possible from a local PC or over the internet via the NVR web interface.

Smartphone and tablet remote viewing is available for iOS (iPhone, iPad), Google Android and Microsoft Windows Phone via free applications and can be configured in seconds using the remote view QR code tool.

The NVR32PRO216P can backup footage to external USB devices, eSATA devices, an internal DVD-RW burner (optional) as well as via the local network.

Specifications		
System	Main Processor	Dual-core embedded processor
	Operating System	Embedded Linux
	Video Input	32 channel
	Two-way Talk	1 channel input / 1 channel output / RCA
Display	Video Output	HDMI / VGA / TV (BNC)
	Resolution	1920 x 1080 / 1280 x 1024 / 1280 x 720 / 1024 x 768
	Display Split	1/4/8/9/16
	OSD	Camera title, Time, Video loss, Camera lock, Motion detection
Recording	Video Compression	H.264 / MJPEG
	Resolution	5MP(2560x1920) / 3MP(2048x1536) / 1080P(1920x1080) / 720P(1280x720)
	Record Rate	Max. 200Mbps (eg. 32 channels 2.0MP at 5Mbps)
	Bit Rate	48~ 8192kbps
	Record Modes	Manual / Schedule (Regular [Continuous], MD, Alarm) / Stop
	Record Interval	1~120 min (default: 60 min) / Pre: 1~30s / Post: 10~300s
Detection	Alarm Input / Output	16 channels / 4 channels
	Trigger Events	Recording, PTZ, Tour, Alarm, Video Push, Email, FTP, Buzzer & Screen tips
	Video Detection	Motion Detection, MD Zones: 396(22x 18), Video Loss & Camera Blank
Playback & Backup	Sync Playback	1/4/9/16
	Search Modes	Time/Date, Alarm, MD & Exact search (accurate to second), Smart search
	Backup Modes	USB Device / Network / eSATA Device / Internal SATA burner
Network	Ethernet	1 RJ-45 port (10/100/1000Mbps)
	Power over Ethernet	16 ports (IEEE802.3at)
	Network Functions	HTTP, TCP/IP, IPv4/IPv6, UPNP, RTSP, UDP, SMTP, NTP, DHCP, DNS, IP Filter, PPPoE, DDNS, FTP, Alarm Server, IP Search
	Max. User Access	128 users
	Remote View	iOS (iPhone, iPad) / Android devices / Windows Phone
Storage	Internal HDD	8 SATA ports, up to 32TB, RAID / 1 eSATA port
Auxiliary	USB Interface	3 ports: 1 x Rear USB3.0 / 2 x Front USB2.0
	RS232	1 port for PC communication & keyboard
	RS485	1 port for PTZ control
General	Power Supply	100 ~ 240VAC, 50 ~ 60Hz
	Power Consumption	NVR: 40W (without HDD)
	Operating Environment	-10 ~ 55°C / 10 ~ 90%RH / 86 ~ 106kpa
	Dimensions	440 x 460 x 89mm / 2U
	Weight	6.5kg (without HDD)



Your VIP Vision IP surveillance dealer:



Crucial evidence. Always.™



Serious jobs made simple.

Professional 16 Channel Network Video Recorder

Model: NVR16PR04

- Records up to 5.0 megapixel (2560 x 1920)
- Up to 160Mbps incoming bandwidth
- 4x SATA ports for up to 16TB of HDD capacity
- Remote view in seconds with setup via QR code
- HDMI, VGA & BNC simultaneous video output
- Built-in 16 port Power over Ethernet (PoE)
- Backup via USB device, network or DVD-RW
- Remote view for iOS, Android & Windows Phone



www.vip-vision.com

Professional 16 Channel Network Video Recorder

Model: NVR16PRO4



Product Overview

The VIP Vision NVR16PRO4 is a 16 channel network video recorder, designed as an immediate and customisable high definition IP surveillance solution. Installation of IP CCTV has never been simpler with the NVR16PRO4. It features a built-in 16 port Power over Ethernet (PoE) switch, supplying camera power, video, audio and PTZ control data across a single ethernet cable.

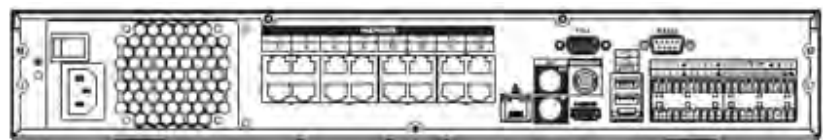
The NVR supports up to 160Mbps incoming bandwidth and can record beyond full HD video at 3.0MP resolution (2048 x 1536) across all 16 channels. Adjusting recording settings, exporting footage and live viewing camera streams are performed through an easy to use user interface.

This NVR supports up to 16TB of internal storage and features continuous recording. When the internal storage is full, the NVR will automatically record over the oldest footage. Accessing footage and changing settings remotely is possible from a local PC or over the internet via the NVR web interface.

Smartphone and tablet remote viewing is available for iOS (iPhone, iPad), Google Android and Microsoft Windows Phone via free applications and can be configured in seconds using the remote view QR code tool.

The NVR16PRO4 can backup footage to external USB devices, eSATA devices, an internal DVD-RW burner (optional) as well as via the local network.

Specifications		
System	Main Processor	Dual-core embedded processor
	Operating System	Embedded Linux
	Video Input	16 channel
	Two-way Talk	1 channel input / 1 channel output / BNC
Display	Video Output	HDMI / VGA / TV (BNC)
	Resolution	1920 x 1080 / 1280 x 1024 / 1280 x 720 / 1024 x 768
	Display Split	1/4/8/9/16
	OSD	Camera title, Time, Video loss, Camera lock, Motion detection
Recording	Video Compression	H.264 / MJPEG
	Resolution	5MP(2560x1920) / 3MP(2048x1536) / 1080P(1920x1080) / 720P(1280x720)
	Record Rate	Max. 160Mbps (eg. 16 channels 5.0MP at 8Mbps)
	Bit Rate	48~ 8192kbps
	Record Modes	Manual / Schedule (Regular [Continuous], MD, Alarm) / Stop
	Record Interval	1~120 min (default: 60 min) / Pre: 1~30s / Post: 10~300s
Detection	Alarm Input / Output	16 channels / 6 channels
	Trigger Events	Recording, PTZ, Tour, Alarm, Video Push, Email, FTP, Buzzer & Screen tips
	Video Detection	Motion Detection, MD Zones: 396(22x 18), Video Loss & Camera Blank
Playback & Backup	Sync Playback	1/4/9/16
	Search Modes	Time/Date, Alarm, MD & Exact search (accurate to second), Smart search
	Backup Modes	USB Device / Network / eSATA Device / Internal SATA burner
Network	Ethernet	1 RJ-45 port (10/100/1000Mbps)
	Power over Ethernet	16 ports (IEEE802.3af)
	Network Functions	HTTP, TCP/IP, IPv4/IPv6, UPNP, RTSP, UDP, SMTP, NTP, DHCP, DNS, IP Filter, PPPoE, DDNS, FTP, Alarm Server, IP Search
	Max. User Access	20 users
	Remote View	iOS (iPhone, iPad) / Android devices / Windows Phone
Storage	Internal HDD	4 SATA ports, up to 16TB, RAID / 1 eSATA port
Auxiliary	USB Interface	3 ports: 2 x Rear USB2.0 / 1 x Front USB2.0
	RS232	1 port for PC communication & keyboard
	RS485	1 port for PTZ control
General	Power Supply	100 ~ 240VAC, 50 ~ 60Hz
	Power Consumption	NVR: 40W (without HDD) / PoE: Max 15W per port
	Operating Environment	-10 ~ 55°C / 10 ~ 90%RH / 86 ~ 106kpa
	Dimensions	440 x 460 x 68mm / 1.5U
	Weight	5kg (without HDD)



Your VIP Vision IP surveillance dealer:



Go beyond Full HD CCTV.

Professional 8 Channel Network Video Recorder

Model: NVR8PR03

- Records up to 5.0 megapixel (2560× 1920)
- 1080P realtime live view
- H.264/MJPEG dual codec decoding
- Up to 200Mbps incoming bandwidth
- 2x SATA ports for up to 8TB of HDD capacity
- ONVIF Version 2.3 conformance
- HDMI & VGA simultaneous video output
- Remote view for iOS, Android & Windows Phone



Professional 8 Channel Network Video Recorder

Model: NVR8PRO3



Product Overview

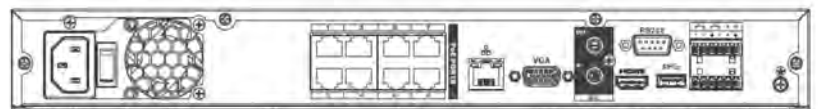
The VIP Vision NVR8PRO3 is an 8 channel network video recorder, designed as an immediate and customisable high definition IP surveillance solution. Installation of IP CCTV has never been simpler with the NVR8PRO3. It features a built-in 8 port Power over Ethernet (PoE) switch, supplying camera power, video, audio and PTZ control data across a single ethernet cable.

The NVR supports up to 200Mbps incoming bandwidth and can record beyond full HD video at 5.0MP resolution (2560 x 1920) across all 8 channels. Adjusting recording settings, exporting footage and live viewing camera streams are performed through an easy to use user interface.

This NVR supports up to 8TB of internal storage and features continuous recording. When the internal storage is full, the NVR will automatically record over the oldest footage. Accessing footage and changing settings remotely is possible from a local PC or over the internet via the NVR web interface. Smartphone and tablet remote viewing is available for iOS (iPhone, iPad), Google Android and Microsoft Windows Phone via free applications and can be configured in seconds using the remote view QR code tool.

The NVR8PRO3 can backup footage to external USB devices as well as via the local network.

Specifications		
System	Main Processor	Dual-core embedded processor
	Operating System	Embedded Linux
	Video Input	8 channel
	Two-way Talk	1 channel input / 1 channel output / RCA
Display	Video Output	1 x HDMI / 1 x VGA
	Resolution	1920 x 1080 / 1280 x 1024 / 1280 x 720 / 1024 x 768
	Display Split	1/4/8/9
	OSD	Camera title, Time, Video loss, Camera lock, Motion detection, Recording
Recording	Video Compression	H.264 / MJPEG
	Resolution	5MP(2560x1920) / 3MP(2048x1536) / 1080P(1920x1080) / 720P(1280x720)
	Record Rate	Max. 200Mbps (eg. 8 channels 5.0MP at 8Mbps)
	Bit Rate	48~ 8192kbps
	Record Modes	Manual / Schedule (Regular [Continuous], MD, Alarm) / Stop
	Record Interval	1~120 min (default: 60 min) / Pre: 1~30s / Post: 10~300s
Detection	Alarm Input / Output	4 channels
	Trigger Events	Recording, PTZ, Tour, Alarm, Video Push, Email, FTP, Buzzer & Screen tips
	Video Detection	Motion Detection, MD Zones: 396(22x 18), Video Loss & Camera Blank
Playback & Backup	Sync Playback	1/4/9
	Search Modes	Time/Date, Alarm, MD & Exact search (accurate to second), Smart search
	Backup Modes	USB Device / Network / eSATA Device
Network	Ethernet	1 RJ-45 ports (10/100/1000Mbps)
	Power over Ethernet	8 ports (IEEE802.3af)
	Network Functions	HTTP, TCP/IP, IPv4/IPv6, UPNP, RTSP, UDP, SMTP, NTP, DHCP, DNS, IP Filter, PPPOE, DDNS, FTP, Alarm Server, IP Search
	Max. User Access	128 users
	Remote View	iOS (iPhone, iPad) / Android devices / Windows Phone
Storage	Internal HDD	2 SATA ports, up to 8TB, RAID
Auxiliary	USB Interface	2 ports: 1 x Rear USB3.0 / 1 x Front USB2.0
	RS232	1 port for PC communication & keyboard
	RS485	1 port for PTZ control
General	Power Supply	100 ~ 240VAC, 50 ~ 60Hz
	Power Consumption	NVR: 20W (without HDD)
	Operating Environment	-10 ~ 55°C / 10 ~ 90%RH / 86 ~ 106kpa
	Dimensions	375 x 285 x 55mm / 1U
	Weight	2.5kg (without HDD)



Your VIP Vision IP surveillance dealer:



Immediate 3.0MP security.

Professional 4 Channel Network Video Recorder

Model: NVR4PR02

- Records up to 5.0 megapixel (2560 x 1920)
- Up to 200Mbps incoming bandwidth
- 2x SATA ports for up to 8TB of HDD capacity
- Remote view in seconds with setup via QR code
- HDMI & VGA simultaneous video output
- Built-in 4 port Power over Ethernet (PoE)
- Backup via external USB device or local network
- Remote view for iOS, Android & Windows Phone



Professional 4 Channel Network Video Recorder

Model: NVR4PRO2



Product Overview

The VIP Vision NVR4PRO2 is a 4 channel network video recorder, designed as an immediate and customisable high definition IP surveillance solution. Installation of IP CCTV has never been simpler with the NVR4PRO2. It features a built-in 4 port Power over Ethernet (PoE) switch, supplying camera power, video, audio and PTZ control data across a single ethernet cable.

The NVR supports up to 200Mbps incoming bandwidth and can record beyond full HD video at 5.0MP resolution (2560 x 1920) across all 4 channels. Adjusting recording settings, exporting footage and live viewing camera streams are performed through an easy to use user interface.

This NVR supports up to 8TB of internal storage and features continuous recording. When the internal storage is full, the NVR will automatically record over the oldest footage. Accessing footage and changing settings remotely is possible from a local PC or over the internet via the NVR web interface.

Smartphone and tablet remote viewing is available for iOS (iPhone, iPad), Google Android and Microsoft Windows Phone via free applications and can be configured in seconds using the remote view QR code tool.

The NVR4PRO2 can backup footage to external USB devices as well as via the local network.

Specifications		
System	Main Processor	Dual-core embedded processor
	Operating System	Embedded Linux
	Video Input	4 channel
	Two-way Talk	1 channel input / 1 channel output / RCA
Display	Video Output	HDMI / VGA
	Resolution	1920 x 1080 / 1280 x 1024 / 1280 x 720 / 1024 x 768
	Display Split	1/4
	OSD	Camera title, Time, Video loss, Camera lock, Motion detection
Recording	Video Compression	H.264 / MJPEG
	Resolution	5MP(2560x1920) / 3MP(2048x1536) / 1080P(1920x1080) / 720P(1280x720)
	Record Rate	Max. 200Mbps (eg. 4 channels 5.0MP at 8Mbps)
	Bit Rate	48~ 8192kbps
	Record Modes	Manual / Schedule (Regular [Continuous], MD, Alarm) / Stop
	Record Interval	1~120 min (default: 60 min) / Pre: 1~30s / Post: 10~300s
Detection	Alarm Input / Output	4 channels / 2 channels
	Trigger Events	Recording, PTZ, Tour, Alarm, Video Push, Email, FTP, Buzzer & Screen tips
	Video Detection	Motion Detection, MD Zones: 396(22x 18), Video Loss & Camera Blank
Playback & Backup	Sync Playback	1/4
	Search Modes	Time/Date, Alarm, MD & Exact search (accurate to second), Smart search
	Backup Modes	USB Device / Network
Network	Ethernet	1 RJ-45 port (10/100/1000Mbps)
	Power over Ethernet	4 ports (IEEE802.3af)
	Network Functions	HTTP, TCP/IP, IPv4/IPv6, UPNP, RTSP, UDP, SMTP, NTP, DHCP, DNS, IP Filter, PPPoE, DDNS, FTP, Alarm Server, IP Search
	Max. User Access	128 users
	Remote View	iOS (iPhone, iPad) / Android devices / Windows Phone
Storage	Internal HDD	2 SATA ports, up to 8TB, RAID
Auxiliary	USB Interface	2 ports: Rear USB3.0 / Front USB2.0
	RS232	1 port for PC communication & keyboard
	RS485	1 port for PTZ control
General	Power Supply	12VDC 4A / PoE: 48VDC 1.04A
	Power Consumption	NVR: 20W (without HDD) / PoE: Max 25.5W per port
	Operating Environment	-10 ~ 55°C / 10 ~ 90%RH / 86 ~ 106kpa
	Dimensions	375 x 285 x 50mm / 1U
	Weight	2.0kg (without HDD)



Your VIP Vision IP surveillance dealer:

1.3 Megapixel 30m Infrared IP Bullet Camera

Model: VSIP1MPFBIRV2



Specifications		
General	Camera Style	Weatherproof Mini Bullet
	Image Sensor	1/3" 1.3 Megapixel Aptina CMOS
	Effective Pixels	1280 (H) x 960 (V)
	Signal Noise Ratio	> 50dB
Camera	Lens	3.6mm Fixed Lens
	Angle of View	70°
	Electronic Shutter	Auto/Manual, 1/3 ~ 1/10000s
	Minimum Illumination	0.01 Lux at F1.2 (Colour) / 0.005 Lux at F1.2 (B&W)
	Day/Night	Auto (ICR) / Colour/B&W
	White Balance	Auto/Manual
	Noise Reduction	3D Digital Noise Reduction
	Gain Control	Auto/Manual
	Backlight Compensation	BLC / HLC / DWDR
	Audio Input	N/A
	Audio Compression	N/A
	Alarm Interface	N/A
	Network Interface	RJ45 (10/100 Base-T)
	Memory Slot	N/A
Bit Rate	H.264: 32K ~ 8192Kbps	
Video	Video Compression	H.264 / MJPEG
	Resolution	1.3MP (1280x960) / 720p (1280x720) / D1 (704x576)
	Frame Rate	1.3MP/720p (1 ~ 25fps)
	Video Output	N/A
Environment	Ingress Protection	IP66
	Vandal Resistant	No
	Maximum Infrared Range	30m
	Power Input	12VDC / PoE (802.3af)
	Power Consumption	< 5W
	Dimensions	70 x 66 x 160mm
	Weight	0.50kg
Operating Environment	-20° to 60°C / RH95% (max)	

Product Highlights

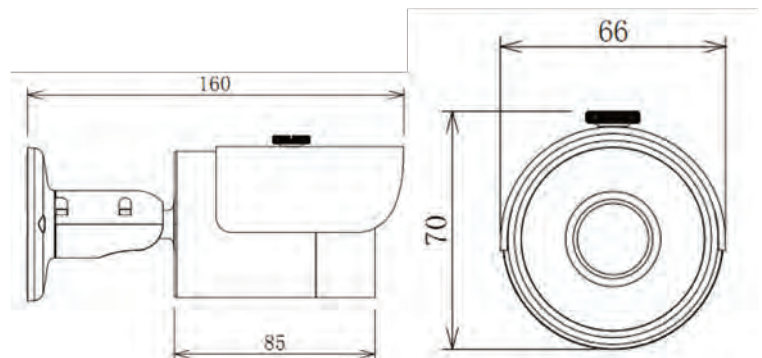
- Record up to 1.3MP (1280 x 960) at 25fps
- 3.6mm fixed lens with 70° viewing angle
- 30m infrared range & IP66 rated housing

Product Overview

The VIP Vision VSIP1MPFBIRV2 is a compact 1.3 Megapixel IP bullet camera capable of streaming beyond 720p high definition footage.

This camera features up to 1.3MP (1280 x 960) image resolution with 30m infrared range for low light and night video capture.

The camera housing is IP66 rated and is suitable for outdoor surveillance.



Your VIP Vision IP surveillance dealer:

3.0 Megapixel 30m Infrared IP Bullet Camera

Model: VSIP3MPFBMINIIR



Specifications		
General	Camera Style	Weatherproof Mini Bullet
	Image Sensor	1/3" 3.0 Megapixel Aptina CMOS
	Effective Pixels	2048 (H) x 1536 (V)
	Signal Noise Ratio	> 50dB
Camera	Lens	3.6mm Fixed Lens
	Angle of View	70°
	Electronic Shutter	Auto/Manual, 1/3 ~ 1/10000s
	Minimum Illumination	0.01 Lux at F1.2 (Colour) / 0.005 Lux at F1.2 (B&W)
	Day/Night	Auto (ICR) / Colour/B&W
	White Balance	Auto/Manual
	Noise Reduction	3D Digital Noise Reduction
	Gain Control	Auto/Manual
	Backlight Compensation	BLC / HLC / DWDR
	Audio Input	N/A
	Audio Compression	N/A
	Alarm Interface	N/A
	Network Interface	RJ45 (10/100 Base-T)
	Memory Slot	N/A
Bit Rate	H.264: 32K ~ 8192Kbps	
Video	Video Compression	H.264 / MJPEG
	Resolution	3.0MP (2048x1536) / 1080p (1920x1080) / 720p (1280x720)
	Frame Rate	3.0MP (1 ~ 20fps), 1080p/720p (1 ~ 25fps)
	Video Output	N/A
Environment	Ingress Protection	IP66
	Vandal Resistant	No
	Maximum Infrared Range	30m
	Power Input	12VDC / PoE (802.3af)
	Power Consumption	< 5W
	Dimensions	70 x 66 x 160mm
	Weight	0.50kg
Operating Environment	-20° to 60°C / RH95% (max)	

Product Highlights

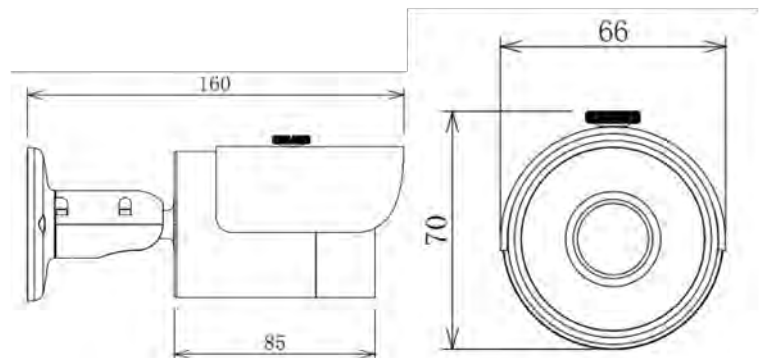
- Record up to 3.0MP (2048 x 1536) at 20fps
- 3.6mm fixed lens with 70° viewing angle
- 30m infrared range & IP66 rated housing

Product Overview

The VIP Vision VSIP3MPFBMINIIR is a compact 3.0 Megapixel IP bullet camera capable of streaming beyond 1080p high definition footage.

This camera features up to 3.0MP (2048 x 1536) image resolution with 30m infrared range for low light and night video capture.

The camera housing is IP66 rated and is suitable for outdoor surveillance.



Your VIP Vision IP surveillance dealer:

3.0 Megapixel 30m Infrared IP Bullet Camera

Model: VSIP3MPFBIRV2



Specifications		
General	Camera Style	Weatherproof Bullet
	Image Sensor	1/3" 3.0 Megapixel Aptina CMOS
	Effective Pixels	2048 (H) x 1536 (V)
	Signal Noise Ratio	> 50dB
Camera	Lens	2.7 ~ 12mm Varifocal Lens
	Angle of View	82° (wide) ~ 25° (tele)
	Electronic Shutter	Auto/Manual, 1/3 ~ 1/10000s
	Minimum Illumination	0.01 Lux at F1.2 (Colour) / 0 Lux at F1.2 (IR on)
	Day/Night	Auto (ICR) / Colour/B&W
	White Balance	Auto/Manual
	Noise Reduction	3D Digital Noise Reduction
	Gain Control	Auto/Manual
	Backlight Compensation	BLC / HLC / DWDR
	Audio Input	1 ch. Input / 1ch. Output
	Audio Compression	G.711a / G.711u / PCM
	Alarm Interface	2 ch. input / 1 ch. output
	Network Interface	RJ45 (10/100 Base-T)
	Memory Slot	MicroSD slot up to 64GB
Bit Rate	H.264: 32K ~ 8192Kbps	
Video	Video Compression	H.264 / MJPEG
	Resolution	3.0MP (2048x1536) / 1080p (1920x1080) / 720p (1280x720)
	Frame Rate	3.0MP (1 ~ 20fps), 1080p/720p (1 ~ 25fps)
	Video Output	1 channel, BNC (1.0Vp-p, 75 ohm)
Environment	Ingress Protection	IP66
	Vandal Resistant	No
	Maximum Infrared Range	30m
	Power Input	12VDC / PoE (802.3af) (24VAC optional)
	Power Consumption	< 7W
	Dimensions	Ø104 x 307mm
	Weight	1.25kg
Operating Environment	-20° to 60°C / RH90% (max)	

Product Highlights

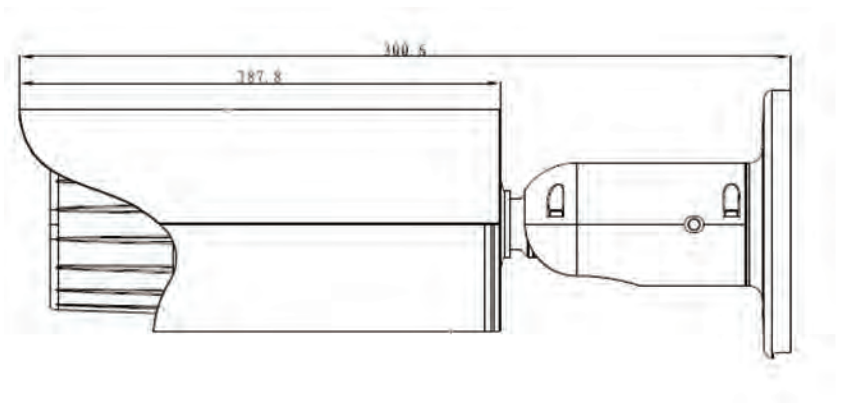
- Record up to 3.0MP (2048 x 1536) at 20fps
- 2.7 ~ 12mm varifocal lens (82° ~ 25° angle)
- 30m infrared range & IP66 rated housing

Product Overview

The VIP Vision VSIP3MPFBIRV2 is a 3.0 Megapixel varifocal IP bullet camera capable of streaming beyond 1080p high definition footage.

This camera features up to 3.0MP (2048 x 1536) image resolution, with 30m infrared range for low light/night video capture and a manual varifocal 2.7~12mm lens to customise focal length.

The camera housing is IP66 rated and is suitable for outdoor surveillance.



Your VIP Vision IP surveillance dealer:

5.0 Megapixel 30m Infrared IP Bullet Camera

Model: VSIP5MPFBIRM



Specifications		
General	Camera Style	Weatherproof Bullet
	Image Sensor	1 / 2.5"5.0 Megapixel CMOS
	Effective Pixels	2560 (H) x 1920 (V)
	Signal Noise Ratio	> 50dB
Camera	Lens	4 ~ 9mm Motorised Lens
	Angle of View	82.4° (wide) ~ 36.1° (tele)
	Electronic Shutter	Auto/Manual, 1/3(4) ~ 1/10000s
	Minimum Illumination	0.01 Lux at F1.6 (Colour)
	Day/Night	Auto (ICR) / Colour/B&W
	White Balance	Auto
	Noise Reduction	3D Digital Noise Reduction
	Gain Control	Auto/Manual
	Backlight Compensation	BLC / HLC / DWDR
	Audio Input	1 ch. Input / 1ch. Output
	Audio Compression	G.711a / G.711u / PCM
	Alarm Interface	2 ch. input / 1 ch. output
	Network Interface	RJ45 (10/100 Base-T)
	Memory Slot	MicroSD slot up to 64GB
Bit Rate	H.264: 32K ~ 8192Kbps	
Video	Video Compression	H.264H / H.264B / H.264 / MJPEG
	Resolution	5.0MP (2560x1920) / 3.0MP (2048x1536) / 1080p (1920x1080) / 720p (1280x720)
	Frame Rate	5.0MP (1 ~ 12fps), 3.0MP (1 ~ 20fps), 1080p (1 ~ 25fps)
	Video Output	1 channel, BNC (1.0Vp-p, 75 ohm)
Environment	Ingress Protection	IP66
	Vandal Resistant	No
	Maximum Infrared Range	30m
	Power Input	12VDC / 24VAC / PoE (802.3af)
	Power Consumption	< 8.5W
	Dimensions	Ø104 x 307mm
	Weight	1.25kg
Operating Environment	-30° to 60°C / RH90% (max)	

Product Highlights

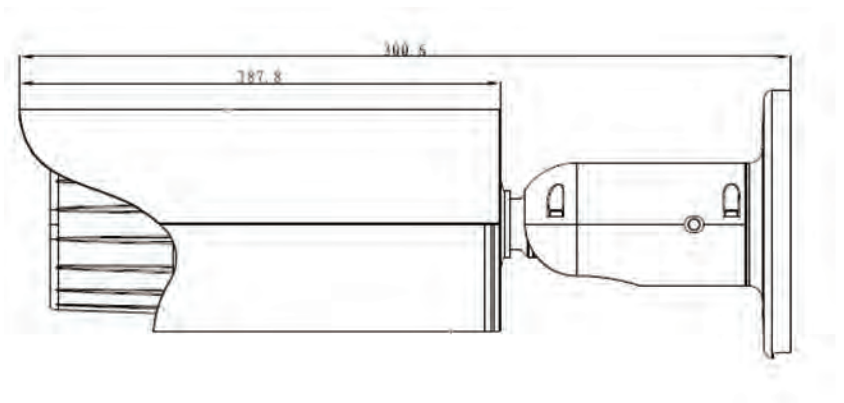
- Record up to 5.0MP (2560 x 1920) at 12fps
- 4 ~ 9mm motorised lens (82° ~ 36° angle)
- 30m infrared range & IP66 rated housing

Product Overview

The VIP Vision VSIP5MPFBIRM is a 5.0 Megapixel varifocal IP bullet camera capable of streaming beyond 1080p high definition footage.

This camera features up to 5.0MP (2560 x 1920) image resolution, with 30m infrared range for low light/night video capture and a motorised varifocal 4~9mm lens to customise focal length from the NVR.

The camera housing is IP66 rated and is suitable for outdoor surveillance.



Your VIP Vision IP surveillance dealer:



5.0 Megapixel IP Full Body Camera

Model: VSIP5MPFB



Specifications		
General	Camera Style	Full Body
	Image Sensor	1/2.5" 5.0 Megapixel Aptina CMOS
	Effective Pixels	2592 (H) x 1944 (V)
	Signal Noise Ratio	> 50dB
Camera	Lens	C/CS mount, lens not included
	Angle of View	N/A
	Electronic Shutter	Auto/Manual, 1/3 ~ 1/10000s
	Minimum Illumination	0.6 Lux at F1.2 (Colour) / 0.08 Lux at F1.2 (B&W)
	Day/Night	Auto (ICR) / Colour/B&W
	White Balance	Auto
	Noise Reduction	2D Digital Noise Reduction
	Gain Control	Auto/Manual
	Backlight Compensation	BLC / HLC / DWDR
	Audio Input	1 ch. Input / 1ch. Output
	Audio Compression	G.711a / G.711u (64kbps) / PCM (128kbps)
	Alarm Interface	1 ch. input / 1 ch. output
	Network Interface	RJ45 (10/100 Base-T)
	Memory Slot	SD slot up to 32GB
Video	Bit Rate	H.264: 32K ~ 8192Kbps / MJPEG: 32K ~ 20480Kbps
	Video Compression	H.264 / MJPEG
	Resolution	5.0MP (2560x1920) / 3.0MP (2048x1536) / 1080p (1920x1080)
	Frame Rate	5.0MP (1 ~ 8fps), 3.0MP (1 ~ 15fps), 1080p (1 ~ 25fps)
Environment	Video Output	1 channel, BNC (1.0Vp-p, 75 ohm)
	Ingress Protection	Indoor only
	Vandal Resistant	No
	Maximum Infrared Range	N/A
	Power Input	12VDC / 24VAC / PoE (802.3af)
	Power Consumption	< 6W
	Dimensions	70 x 150 x 63mm
	Weight	0.65kg
	Operating Environment	-10° to 60°C / RH90% (max)

Product Highlights

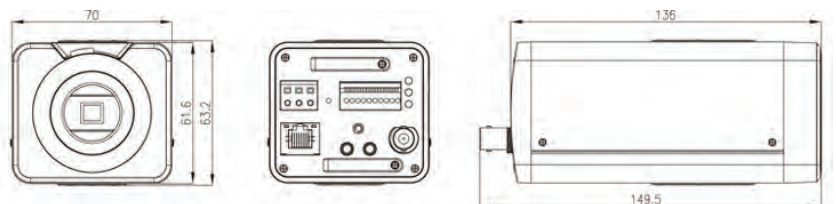
- Record up to 5.0MP (2560 x 1920) at 8fps
- Compatible with most external housings
- C/CS lens mount (lens not included)

Product Overview

The VIP Vision VSIP5MPFB is a 5.0 Megapixel IP full body camera capable of streaming beyond 1080p high definition footage.

This camera features up to 5.0MP (2560 x 1920) image resolution, with a C/CS mount to add megapixel lenses to the camera.

The VSIP5MPFB is compatible with most external camera housings; refer to unit dimensions.



Your VIP Vision IP surveillance dealer:

1.3 Megapixel 30m Infrared IP Dome Camera

Model: VSIP1MPVDMINIIRC



Specifications		
General	Camera Style	Vandal Resistant Mini Dome
	Image Sensor	1/3" 1.3 Megapixel CMOS
	Effective Pixels	1280 (H) x 960 (V)
	Signal Noise Ratio	> 50dB
Camera	Lens	3.6mm Fixed Lens
	Angle of View	70°
	Electronic Shutter	Auto/Manual, 1/3(4) ~ 1/10000s
	Minimum Illumination	0.05 Lux at F1.2 (Colour) / 0.005 Lux at F1.2 (B&W)
	Day/Night	Auto (ICR) / Colour/B&W
	White Balance	Auto
	Noise Reduction	3D Digital Noise Reduction
	Gain Control	Auto/Manual
	Backlight Compensation	BLC / HLC / DWDR
	Audio Input	Built-in microphone
	Audio Compression	G.711a / G.711u (64kbps) / PCM (128kbps)
	Alarm Interface	N/A
	Network Interface	RJ45 (10/100 Base-T)
	Memory Slot	N/A
Video	Bit Rate	H.264: 56K ~ 8192Kbps
	Video Compression	H.264 / MJPEG
	Resolution	1.3MP (1280x960) / 720p (1280x720) / D1 (704x576)
	Frame Rate	1.3MP/720p (1 ~ 25/30fps)
Environment	Video Output	N/A
	Ingress Protection	IP66
	Vandal Resistant	IK10
	Maximum Infrared Range	30m
	Power Input	12VDC / PoE (802.3af)
	Power Consumption	< 4W
	Dimensions	Ø107 x 84.1mm
	Weight	0.29kg
Operating Environment	-20° to 60°C / RH95% (max)	

Product Highlights

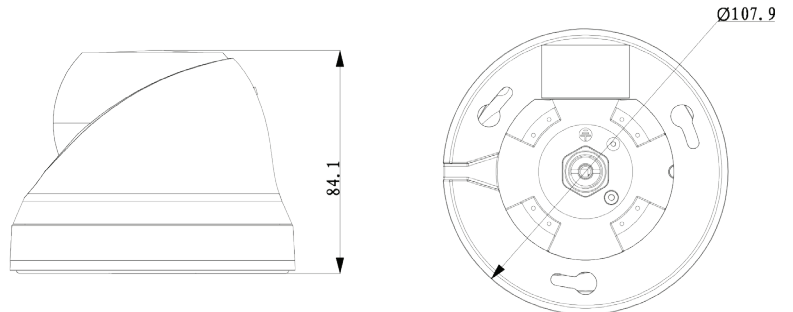
- Record up to 1.3MP (1280 x 960) at 25fps
- 3.6mm fixed lens with 70° viewing angle
- 30m infrared range & IP66/IK10 rated housing

Product Overview

The VIP Vision VSIP1MPVDMINIIRC is a compact 1.3 Megapixel IP dome camera capable of streaming beyond 720p high definition footage.

This camera features up to 1.3MP (1280 x 960) image resolution with 30m infrared range for low light and night video capture.

The camera housing is IK10 vandal resistant and is IP66 rated, making it suitable for outdoor surveillance.



Your VIP Vision IP surveillance dealer:

3.0 Megapixel 30m Infrared IP Dome Camera

Model: VSIP3MPVDMINIIRC



Specifications		
General	Camera Style	Vandal Resistant Mini Dome
	Image Sensor	1/3" 3.0 Megapixel Progressive Scan CMOS
	Effective Pixels	2052 (H) x 1536 (V)
	Signal Noise Ratio	> 50dB
Camera	Lens	3.6mm Fixed Lens
	Angle of View	72.5°
	Electronic Shutter	Auto/Manual, 1/3 ~ 1/10000s
	Minimum Illumination	0.1 Lux at F1.2 (Colour) / 0.005 Lux at F1.2 (B&W)
	Day/Night	Auto (ICR) / Colour/B&W
	White Balance	Auto
	Noise Reduction	3D Digital Noise Reduction
	Gain Control	Auto/Manual
	Backlight Compensation	BLC / HLC / DWDR
	Audio Input	Built-in microphone
	Audio Compression	G.711a / G.711u (64kbps) / PCM (128kbps)
	Alarm Interface	N/A
	Network Interface	RJ45 (10/100 Base-T)
	Memory Slot	N/A
Video	Bit Rate	H.264: 32K ~ 8192Kbps
	Video Compression	H.264 / MJPEG
	Resolution	3.0MP (2048x1536) / 1080p (1920x1080) / 720p (1280x720)
	Frame Rate	3.0MP (1 ~ 20fps), 1080p/720p (1 ~ 25fps)
Environment	Video Output	N/A
	Ingress Protection	IP66
	Vandal Resistant	IK10
	Maximum Infrared Range	30m
	Power Input	12VDC / PoE (802.3af)
	Power Consumption	< 5W
	Dimensions	Ø108 x 84mm
	Weight	0.40kg
Operating Environment	-20° to 60°C / RH95% (max)	

Product Highlights

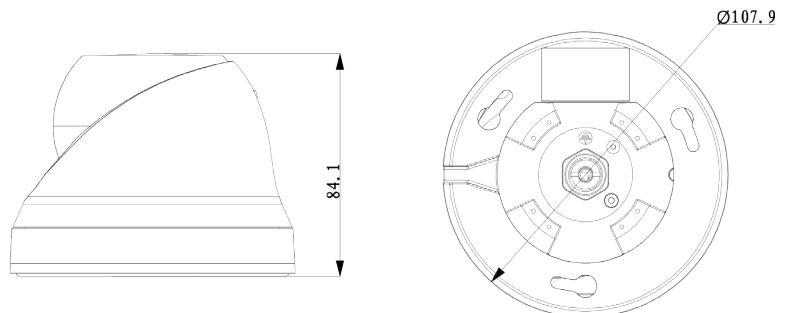
- Record up to 3.0MP (2048 x 1536) at 20fps
- 3.6mm fixed lens with 72° viewing angle
- 30m infrared range & IP66/IK10 rated housing

Product Overview

The VIP Vision VSIP3MPVDMINIIRC is a compact 3.0 Megapixel IP dome camera capable of streaming beyond 1080p high definition footage.

This camera features up to 3.0MP (2048 x 1536) image resolution with 30m infrared range for low light and night video capture.

The camera housing is IK10 vandal resistant and is IP66 rated, making it suitable for outdoor surveillance.



Your VIP Vision IP surveillance dealer:

3.0 Megapixel 20m Infrared IP Dome Camera

Model: VSIP3MPVDMINIIR



Specifications		
General	Camera Style	Vandal Resistant Mini Dome
	Image Sensor	1/3" 3.0 Megapixel Aptina CMOS
	Effective Pixels	2052 (H) x 1536 (V)
	Signal Noise Ratio	> 50dB
Camera	Lens	3.6mm Fixed Lens
	Angle of View	70°
	Electronic Shutter	Auto/Manual, 1/3 ~ 1/10000s
	Minimum Illumination	0.1 Lux at F1.2 (Colour) / 0.01 Lux at F1.2 (B&W)
	Day/Night	Auto (ICR) / Colour/B&W
	White Balance	Auto/Manual
	Noise Reduction	3D Digital Noise Reduction
	Gain Control	Auto/Manual
	Backlight Compensation	BLC / HLC / DWDR
	Audio Input	N/A
	Audio Compression	N/A
	Alarm Interface	N/A
	Network Interface	RJ45 (10/100 Base-T)
	Memory Slot	N/A
	Bit Rate	H.264: 32K ~ 8192Kbps
Video	Video Compression	H.264 / MJPEG
	Resolution	3.0MP (2048x1536) / 1080p (1920x1080) / 720p (1280x720)
	Frame Rate	3.0MP (1 ~ 20fps), 1080p/720p (1 ~ 25fps)
	Video Output	N/A
Environment	Ingress Protection	IP66
	Vandal Resistant	IK10
	Maximum Infrared Range	20m
	Power Input	12VDC / PoE (802.3af)
	Power Consumption	< 3.6W
	Dimensions	Ø110 x 81mm
	Weight	0.29kg
Operating Environment	-20° to 60°C / RH95% (max)	

Product Highlights

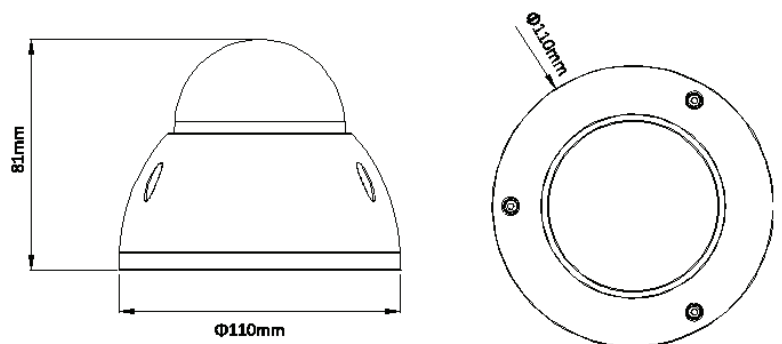
- Record up to 3.0MP (2048 x 1536) at 20fps
- 3.6mm fixed lens with 70° viewing angle
- 20m infrared range & IP66/IK10 rated housing

Product Overview

The VIP Vision VSIP3MPVDMINIIR is a compact 3.0 Megapixel IP dome camera capable of streaming beyond 1080p high definition footage.

This camera features up to 3.0MP (2048 x 1536) image resolution with 20m infrared range for low light and night video capture.

The camera housing is IK10 vandal resistant and is IP66 rated, making it suitable for outdoor surveillance.



Your VIP Vision IP surveillance dealer:

3.0 Megapixel 20m Infrared IP Dome Camera

Model: VSIP3MPDIR



Specifications		
General	Camera Style	Weatherproof Mini Dome
	Image Sensor	1/3" 3.0 Megapixel Aptina CMOS
	Effective Pixels	2048 (H) x 1536 (V)
	Signal Noise Ratio	> 50dB
Camera	Lens	3.6mm Fixed Lens
	Angle of View	70°
	Electronic Shutter	Auto/Manual, 1/3 ~ 1/10000s
	Minimum Illumination	0.01 Lux at F1.2 (Colour) / 0.005 Lux at F1.2 (B&W)
	Day/Night	Auto (ICR) / Colour/B&W
	White Balance	Auto/Manual
	Noise Reduction	3D Digital Noise Reduction
	Gain Control	Auto/Manual
	Backlight Compensation	BLC / HLC / DWDR
	Audio Input	N/A
	Audio Compression	N/A
	Alarm Interface	N/A
	Network Interface	RJ45 (10/100 Base-T)
	Memory Slot	N/A
Bit Rate	H.264: 32K ~ 8192Kbps	
Video	Video Compression	H.264 / MJPEG
	Resolution	3.0MP (2048x1536) / 1080p (1920x1080) / 720p (1280x720)
	Frame Rate	3.0MP (1 ~ 20fps), 1080p/720p (1 ~ 25fps)
	Video Output	N/A
Environment	Ingress Protection	IP66
	Vandal Resistant	No
	Maximum Infrared Range	20m
	Power Input	12VDC / PoE (802.3af)
	Power Consumption	< 5W
	Dimensions	Ø114 x 86mm
	Weight	0.40kg
Operating Environment	-20° to 60°C / RH95% (max)	

Product Highlights

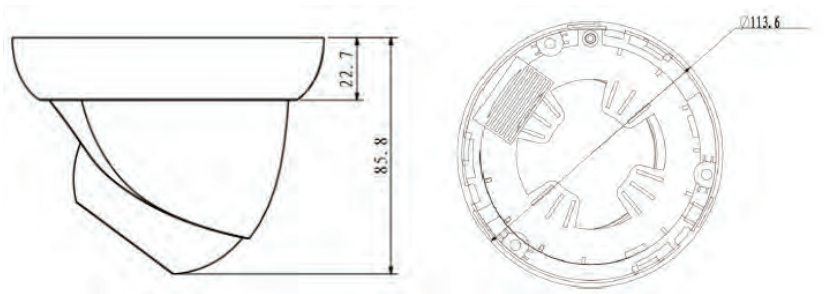
- Record up to 3.0MP (2048 x 1536) at 20fps
- 3.6mm fixed lens with 70° viewing angle
- 20m infrared range & IP66 rated housing

Product Overview

The VIP Vision VSIP3MPDIR is a compact 3.0 Megapixel IP dome camera capable of streaming beyond 1080p high definition footage.

This camera features up to 3.0MP (2048 x 1536) image resolution with 20m infrared range for low light and night video capture.

The camera housing is IP66 rated and is suitable for outdoor surveillance.



Your VIP Vision IP surveillance dealer:

3.0 Megapixel Vandal Resistant IP Dome Camera

Model: VSIP3MPVDMINI3.6



Specifications		
General	Camera Style	Vandal Resistant Mini Dome
	Image Sensor	1/3"3 Megapixel Aptina CMOS
	Effective Pixels	2048 (H) x 1536 (V)
	Signal Noise Ratio	> 50dB
Camera	Lens	3.6mm Fixed Lens
	Angle of View	70°
	Electronic Shutter	Auto/Manual, 1/3 ~ 1/10000s
	Minimum Illumination	0.1 Lux at F1.2 (Colour)
	Day/Night	Auto (Electronic) / Colour/B&W
	White Balance	Auto/Manual
	Noise Reduction	3D Digital Noise Reduction
	Gain Control	Auto/Manual
	Backlight Compensation	BLC / HLC / DWDR
	Audio Input	N/A
	Audio Compression	N/A
	Alarm Interface	N/A
	Network Interface	RJ45 (10/100 Base-T)
	Memory Slot	MicroSD slot up to 64GB
Bit Rate	H.264: 32K ~ 8192Kbps	
Video	Video Compression	H.264 / MJPEG
	Resolution	3.0MP (2048x1536) / 1080p (1920x1080) / 720p (1280x720)
	Frame Rate	3.0MP (1 ~ 20fps), 1080p/720p (1 ~ 25fps)
	Video Output	N/A
Environment	Ingress Protection	IP66
	Vandal Resistant	IK10
	Maximum Infrared Range	N/A
	Power Input	12VDC / PoE (802.3af)
	Power Consumption	< 3W
	Dimensions	Ø110 x 54mm
	Weight	0.25kg
Operating Environment	-20° to 60°C / RH95% (max)	

Product Highlights

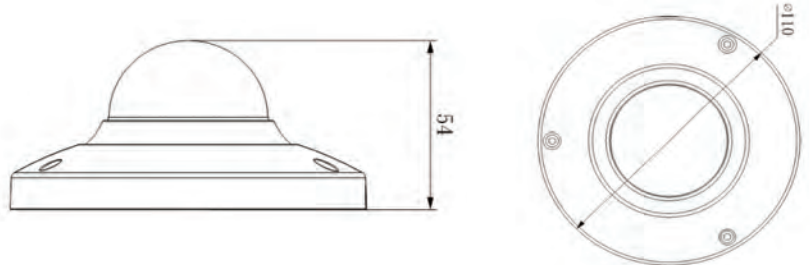
- Record up to 3.0MP (2048 x 1536) at 20fps
- 3.6mm fixed lens with 70° viewing angle
- Compact housing design with & IP66/IK10

Product Overview

The VIP Vision VSIP3MPVDMINI3.6 is a compact 3.0 Megapixel IP dome camera capable of streaming beyond 1080p high definition footage.

This camera features up to 3.0MP (2048 x 1536) image resolution and a fixed 3.6mm lens for 70° viewing angle.

The camera housing is IP66 rated and is suitable for outdoor surveillance.



Your VIP Vision IP surveillance dealer:

3.0 Megapixel 20m Infrared IP Dome Camera

Model: VSIP3MPVDIRV2



Specifications		
General	Camera Style	Weatherproof & Vandal Resistant Dome
	Image Sensor	1/3" 3.0 Megapixel Aptina CMOS
	Effective Pixels	2048 (H) x 1536 (V)
	Signal Noise Ratio	> 50dB
Camera	Lens	2.7 ~ 12mm Varifocal Lens
	Angle of View	82° (wide) ~ 25° (tele)
	Electronic Shutter	Auto/Manual, 1/3 ~ 1/10000s
	Minimum Illumination	0.1 Lux at F1.2 (Colour) / 0 Lux at F1.2 (IR on)
	Day/Night	Auto (ICR) / Colour/B&W
	White Balance	Auto
	Noise Reduction	3D Digital Noise Reduction
	Gain Control	Auto/Manual
	Backlight Compensation	BLC / HLC / DWDR
	Audio Input	1 ch. Input / 1ch. Output
	Audio Compression	G.711a / G.711u / PCM
	Alarm Interface	2 ch. input / 1 ch. output
	Network Interface	RJ45 (10/100 Base-T)
	Memory Slot	MicroSD slot up to 64GB
Bit Rate	H.264: 32K ~ 8192Kbps	
Video	Video Compression	H.264 / MJPEG
	Resolution	3.0MP (2048x1536) / 1080p (1920x1080) / 720p (1280x720)
	Frame Rate	3.0MP (1 ~ 20fps), 1080p/720p (1 ~ 25fps)
	Video Output	1 port
Environment	Ingress Protection	IP66
	Vandal Resistant	IK10
	Maximum Infrared Range	20m
	Power Input	12VDC / 24VAC / PoE (802.3af)
	Power Consumption	< 5W
	Dimensions	Ø151 x 119mm
	Weight	1.25kg
	Operating Environment	-20° to 60°C / RH90% (max)

Product Highlights

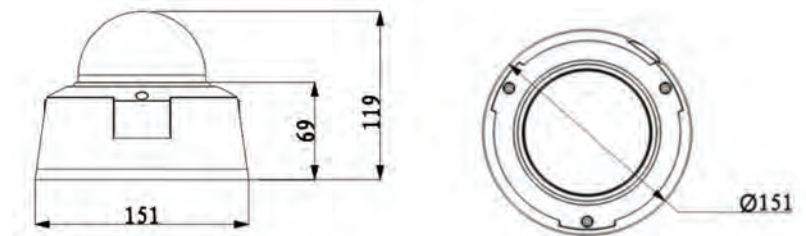
- Record up to 3.0MP (2048 x 1536) at 20fps
- 2.7 ~ 12mm varifocal lens (82° ~ 25° angle)
- 20m infrared range & IP66/IK10 rated housing

Product Overview

The VIP Vision VSIP3MPVDIRV2 is a 3.0 Megapixel varifocal IP dome camera capable of streaming beyond 1080p high definition footage.

This camera features up to 3.0MP (2048 x 1536) image resolution, with 20m infrared range for low light/night video capture and a manual varifocal 2.7~12mm lens to customise focal length.

The camera housing is IK10 vandal resistant and is IP66 rated, making it suitable for outdoor surveillance.



Your VIP Vision IP surveillance dealer:

3.0 Megapixel 20m Infrared IP Dome Camera

Model: VSIP3MPVDIRM



Specifications		
General	Camera Style	Vandal Resistant Dome
	Image Sensor	1/3" 3.0 Megapixel Aptina CMOS
	Effective Pixels	2048 (H) x 1536 (V)
	Signal Noise Ratio	> 50dB
Camera	Lens	3 ~ 9mm Motorised Lens
	Angle of View	86.5° (wide) ~ 28.6° (tele)
	Electronic Shutter	Auto/Manual, 1/3 ~ 1/10000s
	Minimum Illumination	0.1 Lux at F1.2 (Colour) / 0.01 Lux at F1.2 (B&W)
	Day/Night	Auto (ICR) / Colour/B&W
	White Balance	Auto
	Noise Reduction	3D Digital Noise Reduction
	Gain Control	Auto/Manual
	Backlight Compensation	BLC / HLC / DWDR
	Audio Input	1 ch. Input / 1ch. Output
	Audio Compression	G.711a / G.711u (64kbps) / PCM (128kbps)
	Alarm Interface	1 ch. input / 1 ch. output
	Network Interface	RJ45 (10/100 Base-T)
	Memory Slot	MicroSD slot up to 64GB
Bit Rate	H.264: 32K ~ 8192Kbps	
Video	Video Compression	H.264 / MJPEG
	Resolution	3.0MP (2048x1536) / 1080p (1920x1080) / 720p (1280x720)
	Frame Rate	3.0MP (1 ~ 20fps), 1080p/720p (1 ~ 25/30fps)
	Video Output	1 channel, BNC (1.0Vp-p, 75 ohm)
Environment	Ingress Protection	IP66
	Vandal Resistant	IK10
	Maximum Infrared Range	20m
	Power Input	12VDC / 24VAC / PoE (802.3af)
	Power Consumption	< 8.5W
	Dimensions	Ø151 x 119mm
	Weight	1.25kg
	Operating Environment	-20° to 60°C / RH90% (max)

Product Highlights

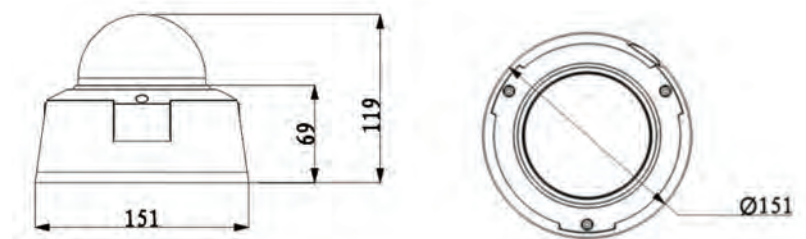
- Record up to 3.0MP (2048 x 1536) at 20fps
- 3 ~ 9mm motorised lens (86° ~ 29° angle)
- 20m infrared range & IP66/IK10 rated housing

Product Overview

The VIP Vision VSIP3MPVDIRM is a 3.0 Megapixel varifocal IP bullet camera capable of streaming beyond 1080p high definition footage.

This camera features up to 3.0MP (2048 x 1536) image resolution, with 20m infrared range for low light/night video capture and a motorised varifocal 3~9mm lens to customise focal length from the NVR.

The camera housing is IK10 vandal resistant and IP66 rated, making it suitable for outdoor surveillance.



Your VIP Vision IP surveillance dealer:

5.0 Megapixel 20m Infrared IP Dome Camera

Model: VSIP5MPVDIRM



Specifications		
General	Camera Style	Weatherproof & Vandal Resistant Dome
	Image Sensor	1/ 2.5 5.0 Megapixel Aptina CMOS
	Effective Pixels	2560 (H) x 1920 (V)
	Signal Noise Ratio	> 50dB
Camera	Lens	4 ~ 9mm Motorised Lens
	Angle of View	86.5° (wide) ~ 28.6° (tele)
	Electronic Shutter	Auto/Manual, 1/3 ~ 1/10000s
	Minimum Illumination	0.01 Lux at F1.6 (Colour)
	Day/Night	Auto (ICR) / Colour/B&W
	White Balance	Auto
	Noise Reduction	3D Digital Noise Reduction
	Gain Control	Auto/Manual
	Backlight Compensation	BLC / HLC / DWDR
	Audio Input	1 ch. Input / 1ch. Output
	Audio Compression	G.711a / G.711u / PCM
	Alarm Interface	1 ch. input / 1 ch. output
	Network Interface	RJ45 (10/100 Base-T)
	Memory Slot	MicroSD slot up to 64GB
Bit Rate	H.264: 32K ~ 8192Kbps	
Video	Video Compression	H.264H / H.264B / H.264 / MJPEG
	Resolution	5.0MP (2536x1920) / 3.0MP (2048x1536) / 1080p (1920x1080) / 720p (1280x720)
	Frame Rate	5.0MP (1 ~ 12fps), 3.0MP (1 ~ 20fps), 1080p (1 ~ 25fps)
	Video Output	1 channel, BNC (1.0Vp-p, 75 ohm)
Environment	Ingress Protection	IP66
	Vandal Resistant	IK10
	Maximum Infrared Range	20m
	Power Input	12VDC / 24VAC / PoE (802.3af)
	Power Consumption	< 7W
	Dimensions	Ø151 x 119mm
	Weight	1.25kg
Operating Environment	-30° to 60°C / RH90% (max)	

Product Highlights

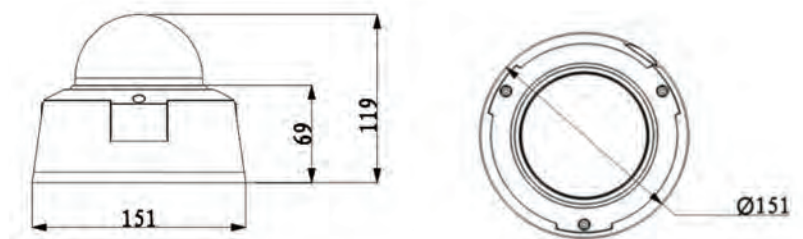
- Record up to 5.0MP (2560 x 1920) at 12fps
- 4 ~ 9mm motorised lens (86° ~ 29° angle)
- 20m infrared range & IP66/IK10 rated housing

Product Overview

The VIP Vision VSIP5MPVDIRM is a 5.0 Megapixel varifocal IP bullet camera capable of streaming beyond 1080p high definition footage.

This camera features up to 5.0MP (2560 x 1920) image resolution, with 20m infrared range for low light/night video capture and a motorised varifocal 4~9mm lens to customise focal length from the NVR.

The camera housing is IK10 vandal resistant and IP66 rated, making it suitable for outdoor surveillance.



Your VIP Vision IP surveillance dealer:

1.3 Megapixel 100m Infrared IP PTZ Dome Camera

Model: VSIP1MPPTZIR



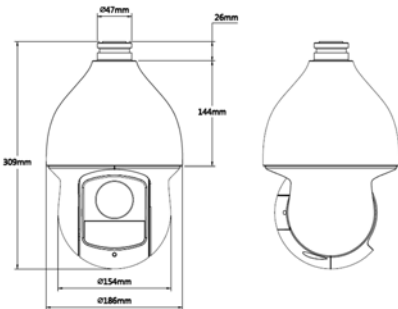
- Record up to 1.3MP (1280 x 960) at 25fps
- 4.7 ~ 94mm motorised lens (54° ~ 3° angle)
- 100m infrared range & IP66 rated housing

Product Overview

The VIP Vision VSIP1MPPTZIR is a 1.3 Megapixel IP PTZ surveillance solution for indoor or outdoor CCTV needs.

This camera features dual voltage (12VDC/24VAC) and up to 1280x960 1.3MP Image Resolution with 80m IR range (12V DC) / 100m (24V AC) for low light and night video capture.

The IP camera supports internal SD card storage (up to 64GB) and can store footage locally, providing a truly standalone surveillance system that doesn't require a connection to a central storage device.



Your VIP Vision IP surveillance dealer:

Specifications		
General	Camera Style	Weatherproof PTZ Dome
	Image Sensor	1/3" 1.3 Megapixel CMOS
	Effective Pixels	1280 (H) x 960 (V)
	Signal Noise Ratio	> 55dB
Camera	Lens	4.7 ~ 94mm Motorised Lens (20x Optical Zoom)
	Angle of View	54.1° (wide) ~ 3.2° (tele)
	Electronic Shutter	1/1 ~ 1/30,000s
	Minimum Illumination	0.05 Lux at F1.4 (Colour) / 0.005 Lux at F1.4 (B&W)
	Day/Night	Auto (ICR) / Colour/B&W
	White Balance	Auto / ATW / Indoor / Outdoor / Manual
	Noise Reduction	Ultra DNR (2D/3D)
	Gain Control	Auto/Manual
	Backlight Compensation	BLC / HLC / DWDR
	Audio Input	1 ch. Input / 1ch. Output
	Audio Compression	G.711a / G.711Mu(32kbps)/ PCM(128kbps)
	Alarm Interface	2 ch. input / 1 ch. output
	Network Interface	RJ45 (10/100 Base-T)
	Memory Slot	MicroSD slot up to 64GB
	Bit Rate	H.264: 448K ~ 8192Kbps, MJPEG: 5120K ~ 10240Kbps
Video	Video Compression	H.264 / MJPEG
	Resolution	1.3MP (1280x960) / 720p (1280x720) / D1 (704x576)
	Frame Rate	1.3MP/720p (1 ~ 25fps)
	Video Output	N/A
Environment	Ingress Protection	IP66
	Vandal Resistant	No
	Maximum Infrared Range	80m (12V DC) / 100m (24V AC)
	Power Input	24VAC / 12V DC / POE +(30W)
	Power Consumption	DC12V: 13W, 20W (IR on) / AC24V: 13W, 23W (IR on)
	Dimensions	Ø186 x 309mm
	Weight	3.5kg
	Operating Environment	-30° to 60°C / RH90% (max)

VIP Vision IP PTZ Keyboard

Model: VIPPTZKBV2

- Three Dimensional Joystick Control of PTZ Functions
- Preset Position, Auto Scan, Auto Pan, Auto Tour & Pattern Control
- Auxiliary Functions
- On-Screen Menu & User Operation Procedure Tips
- Connect to Smart PSS via USB



3.0 Megapixel 100m Infrared IP PTZ Dome Camera

Model: VSIP3MPPTZIR



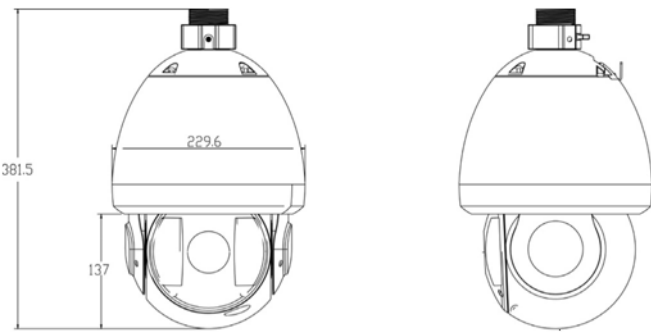
- Record up to 3.0MP (2048 x 1536) at 20fps
- 4.7 ~ 94mm motorised lens (58° ~ 3° angle)
- 100m infrared range & IP66 rated housing

Product Overview

The VIP Vision VSIP3MPPTZIR is a 3.0 Megapixel IP PTZ surveillance solution for indoor or outdoor CCTV needs.

This camera features 2048x1536 3.0MP Image Resolution with 100m IR rang for low light and night video capture.

The IP camera supports internal SD card storage (up to 32GB) and can store footage locally, providing a truly standalone surveillance system that doesn't require a connection to a central storage device.



Your VIP Vision IP surveillance dealer:

Specifications		
General	Camera Style	Weatherproof PTZ Dome
	Image Sensor	1/3" 3.0 Megapixel CMOS
	Effective Pixels	2048 (H) x 1536 (V)
	Signal Noise Ratio	> 50dB
Camera	Lens	4.7 ~ 94mm Motorised Lens (20x Optical Zoom)
	Angle of View	58° (wide) ~ 3° (tele)
	Electronic Shutter	1/1 ~ 1/30,000s
	Minimum Illumination	0.05 Lux at F1.6 (Colour) / 0.005 Lux at F1.6 (B&W) / 0 Lux IR Active
	Day/Night	Auto (ICR) / Colour/B&W
	White Balance	Auto / ATW / Indoor / Outdoor / Manual
	Noise Reduction	2D / 3D Digital Noise Reduction
	Gain Control	Auto/Manual
	Backlight Compensation	BLC / HLC / WDR (100dB in 1080p)
	Audio Input	1 ch. Input / 1ch. Output
	Audio Compression	G.711a / G.711u (64kbps) / PCM (128kbps)
	Alarm Interface	7 ch. input / 2 ch. output
	Network Interface	RJ45 (10/100 Base-T)
	Memory Slot	MicroSD slot up to 32GB
Video	Bit Rate	H.264: 32K ~ 8192Kbps / MJPEG: 56K ~ 20480Kbps
	Video Compression	H.264 / MJPEG
	Resolution	3.0MP (2048x1536) / 1080p (1920x1080) / 720p (1280x720)
	Frame Rate	3.0MP (1 ~ 15fps), 1080p/720p (1 ~ 25fps)
Environment	Video Output	1 channel, BNC (1.0Vp-p, 75 ohm)
	Ingress Protection	IP66
	Vandal Resistant	No
	Maximum Infrared Range	100m (max)
	Power Input	24VAC/3A
	Power Consumption	17W / 35W (IR & Heater on)
	Dimensions	Ø230 x 382mm
	Weight	7.0kg
Operating Environment	-40° to 60°C / RH90% (max)	

VIP Vision IP PTZ Keyboard

Model: VIPPTZKBV2

- Three Dimensional Joystick Control of PTZ Functions
- Preset Position, Auto Scan, Auto Pan, Auto Tour & Pattern Control
- Auxiliary Functions
- On-Screen Menu & User Operation Procedure Tips
- Connect to Smart PSS via USB





IP Surveillance Package





Crucial evidence. Always.™



HD surveillance made easy.

Professional 4 Channel IP Surveillance Kit

Model: NVR4PROPACK2

- 4 x 1.3 megapixel weatherproof bullets
- Pre-installed 1TB surveillance HDD
- HDMI, CAT5 and network cables included
- Built-in 4 port Power over Ethernet (PoE)
- Record 1.3MP (1280 x 960) at 25fps
- HDMI and VGA video output
- Remote view configuration via QR code
- View on iOS, Android & Windows Phone devices



www.vip-vision.com

Professional 4 Channel IP Surveillance Kit

Model: NVR4PROPACK2



Product Overview

The VIP Vision NVR4PROPACK2 is a complete 4 camera, IP surveillance system, purpose built for home and business. It includes a professional grade H.264 network video recorder, four 1.3 megapixel day/night IP weatherproof bullet cameras, a 1TB HDD and all required power, display and network cables (2x 10m, 1x 20m, 1x 30m CAT5). It is an ideal package for immediate deployment of high definition CCTV surveillance.

Installation of IP CCTV has never been easier with the NVR4PROPACK2. The NVR features a built-in 4 port Power over Ethernet (PoE) switch, supplying camera power, video, audio and PTZ control data across a single ethernet cable. Remote view is also configured in seconds using the QR code config tool.

The NVR4PROPACK2 can record 1.3 megapixel footage (1280 x 960) at 25fps across all cameras. Accessing footage and changing settings remotely is possible from a local PC or over the internet via the NVR web interface. The NVR4PROPACK2 can also backup footage to external USB devices as well as via a local network.

*Remote view available for iOS (iPhone, iPad), Google Android devices and Windows Phone devices. QR code config tool unavailable for Windows Phone.

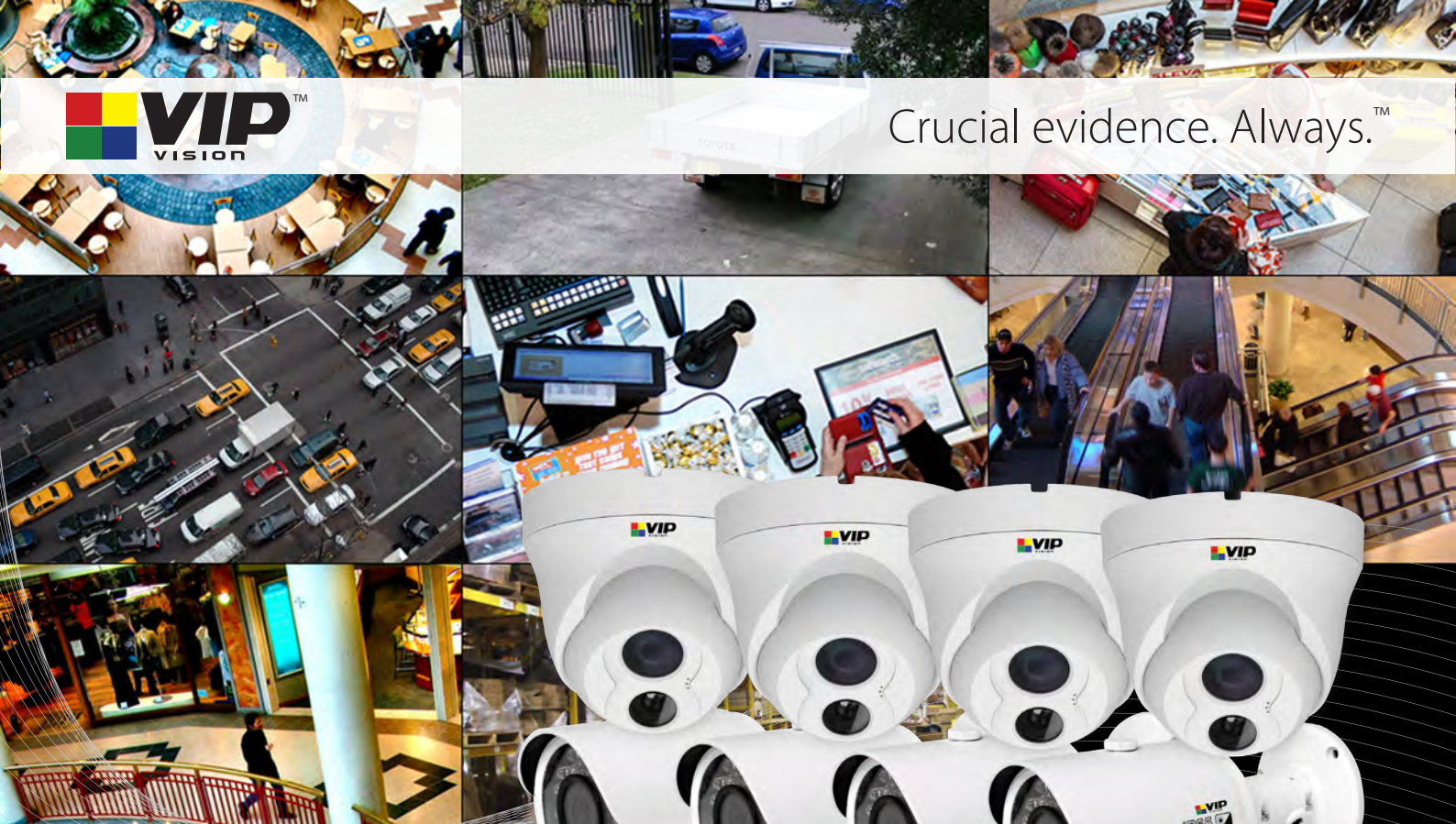
Specifications - Digital Video Recorder		NVR4PRO2
System	Main Processor	Dual-core embedded processor
	Operating System	Embedded Linux
	Video Input	4 channel
	Two-way Talk	1 channel input / 1 channel output / RCA
Display	Video Output	HDMI / VGA
	Resolution	1920 x 1080 / 1280 x 1024 / 1280 x 720 / 1024 x 768
	Display Split	1/4
	OSD	Camera title, Time, Video loss, Camera lock, Motion detection
Recording	Video Compression	H.264 / MJPEG
	Max. Record Resolutions	5MP(2560x1920) / 3MP(2048x1536) / 1080p / 720p / D1
	Record Rate	Max. 200Mbps (eg. 4 channels 5.0MP at 8Mbps)
	Bit Rate	48~ 8192kbps
	Record Modes	Manual / Schedule (Regular [Continuous], MD, Alarm) / Stop
Detection	Record Interval	1~120 min (default: 60 min) / Pre: 1~30s / Post: 10~300s
	Alarm Input / Output	4 channels / 2 channels
	Trigger Events	Recording, PTZ, Tour, Alarm, Video Push, Email, FTP, Buzzer & Screen tips
	Video Detection	Motion Detection (Zones: 396), Video Loss & Camera Blank
Playback & Backup	Sync Playback	1/4
	Search Modes	Time/Date, Alarm, MD, Exact search (± 1s), Smart search
	Backup Modes	USB Device / Network
Network	Ethernet	1 RJ-45 port (10/100/1000Mbps)
	Power over Ethernet	4 ports (IEEE802.3af)
	Network Functions	HTTP, TCP/IP, IPv4/IPv6, UPNP, RTSP, UDP, SMTP, NTP, DHCP, DNS, IP Filter, PPPoE, DDNS, FTP, Alarm Server, IP Search
	Max. User Access	128 users
Storage	Remote View	iOS (iPhone, iPad) / Android devices / Windows Phone
	Internal HDD	2 SATA ports, up to 8TB, RAID
Auxiliary	USB Interface	2 ports: Rear USB3.0 / Front USB2.0
	RS232	1 port for PC communication & keyboard
	RS485	1 port for PTZ control
General	Power Supply	12VDC 4A / PoE: 48VDC 1.04A
	Power Consumption	NVR: 20W (without HDD) / PoE: Max 25.5W per port
	Operating Environment	-10 ~ 55°C / 10 ~ 90%RH / 86 ~ 106kpa
	Dimensions	375 x 285 x 50mm / 1U
	Weight	2.0kg (without HDD)

Specifications - Cameras		4 x VSIP1MPFBIRV2
Camera	Camera Type	1.3MP weatherproof bullet
	Image Sensor	1/3" 1.3MP Aptina CMOS
	Lens	3.6mm Fixed Lens
	Angle of View	70°
Video	Day/Night	Auto (ICR) / Colour / B&W
	Video Compression	H.264 / MJPEG
	Maximum Resolution	1.3MP (1280x960) / 720p (1280x720) / D1 (704x576)
General	Maximum Frame Rate	1.3MP/720p (1 ~ 25fps)
	Ingress Protection	IP66
	Vandal Resistant	No
	Maximum Infrared Range	30m
	Power Input	12VDC / PoE (802.3af)
	Operating Environment	-20° to 60°C / RH95% (max)

Your VIP Vision IP surveillance dealer:



Crucial evidence. Always.™



HD surveillance made easy.

Professional 8 Channel IP Surveillance Kit

Model: NVR8PROPACK3

- 4 x 1.3 megapixel weatherproof bullets
- 4 x 1.3 megapixel vandal-resistant mini domes
- Pre-installed 2TB surveillance HDD
- HDMI, CAT5 and network cables included
- Record 1.3MP (1280 x 960) at 25fps
- Built-in 8 port Power over Ethernet (PoE)
- Remote view configuration via QR code
- View on iOS, Android & Windows Phone devices



www.vip-vision.com

Professional 8 Channel IP Surveillance Kit

Model: NVR8PROPACK3



Product Overview

The VIP Vision NVR8PROPACK3 is a complete 8 camera, IP surveillance system, purpose built for home and business. It includes a professional grade H.264 network video recorder, four 1.3 megapixel day/night IP weatherproof bullet cameras, four 1.3 megapixel vandal resistant day/night dome cameras, a 2TB HDD and all required power, display and network cables (4x 10m, 2x 20m, 2x 30m CAT5). It is an ideal package for immediate deployment of high definition CCTV surveillance.

Installation of IP CCTV has never been easier with the NVR8PROPACK3. The NVR features a built-in 8 port Power over Ethernet (PoE) switch, supplying camera power, video, audio and PTZ control data across a single ethernet cable. Remote view is also configured in seconds using the QR code config tool.

The NVR8PROPACK3 can record 1.3 megapixel footage (1280 x 960) at 25fps across all cameras. Accessing footage and changing settings remotely is possible from a local PC or over the internet via the NVR web interface. The NVR8PROPACK3 can also backup footage to external USB devices as well as via a local network.

*Remote view available for iOS (iPhone, iPad), Google Android devices and Windows Phone devices. QR code config tool unavailable for Windows Phone.

Specifications		
System	Main Processor	Dual-core embedded processor
	Operating System	Embedded Linux
	Video Input	8 channel
	Two-way Talk	1 channel input / 1 channel output / RCA
Display	Video Output	1 x HDMI / 1 x VGA
	Resolution	1920 x 1080 / 1280 x 1024 / 1280 x 720 / 1024 x 768
	Display Split	1/4/8/9
	OSD	Camera title, Time, Video loss, Camera lock, Motion detection, Recording
Recording	Video Compression	H.264 / MJPEG
	Resolution	5MP(2560x1920) / 3MP(2048x1536) / 1080P(1920x1080)
	Record Rate	Max. 200Mbps (eg. 8 channels 5.0MP at 8Mbps)
	Bit Rate	48~ 8192kbps
	Record Modes	Manual / Schedule (Regular [Continuous], MD, Alarm) / Stop
	Record Interval	1~120 min (default: 60 min) / Pre: 1~30s / Post: 10~300s
Detection	Alarm Input / Output	4 channels
	Trigger Events	Recording, PTZ, Tour, Alarm, Video Push, Email, FTP, Buzzer & Screen tips
	Video Detection	Motion Detection, MD Zones: 396(22x 18), Video Loss & Camera Blank
Playback & Backup	Sync Playback	1/4/9
	Search Modes	Time/Date, Alarm, MD & Exact search (accurate to second), Smart search
	Backup Modes	USB Device / Network / eSATA Device
Network	Ethernet	1 RJ-45 ports (10/100/1000Mbps)
	Power over Ethernet	8 ports (IEEE802.3af)
	Network Functions	HTTP, TCP/IP, IPv4/IPv6, UPNP, RTSP, UDP, SMTP, NTP, DHCP, DNS, IP Filter, PPPOE, DDNS, FTP, Alarm Server, IP Search
	Max. User Access	128 users
Storage	Internal HDD	2 SATA ports, up to 8TB, RAID
	USB Interface	2 ports: 1 x Rear USB3.0 / 1 x Front USB2.0
Auxiliary	RS232	1 port for PC communication & keyboard
	RS485	1 port for PTZ control
	Power Supply	100 ~ 240VAC, 50 ~ 60Hz
General	Power Consumption	NVR: 20W (without HDD)
	Operating Environment	-10 ~ 55°C / 10 ~ 90%RH / 86 ~ 106kpa
	Dimensions	375 x 285 x 55mm / 1U
	Weight	2.5kg (without HDD)

Specifications - Cameras		4 x VSIP1MPFBIRV2	4 x VSIP1MPVDMINIIRC
Camera	Camera Type	1.3MP weatherproof bullet	1.3MP vandal-resistant dome
	Image Sensor	1/3" 1.3MP Aptina CMOS	1/3" 1.3MP CMOS
	Lens	3.6mm Fixed Lens	
	Angle of View	70°	
	Day/Night	Auto (ICR) / Colour / B&W	
Video	Video Compression	H.264 / MJPEG	
	Maximum Resolution	1.3MP (1280x960) / 720p (1280x720) / D1 (704x576)	
	Maximum Frame Rate	1.3MP/720p (1 ~ 25fps)	
General	Ingress Protection	IP66	
	Vandal Resistant	No	IK10
	Maximum Infrared Range	30m	
	Power Input	12VDC / PoE (802.3af)	
Operating Environment	-20° to 60°C / RH95% (max)		

Your VIP Vision IP surveillance dealer:



Crucial evidence. Always.™



HD surveillance made easy.

Professional 16 Channel IP Surveillance Kit

Model: NVR16PROPACK4

- 8 x 1.3 megapixel weatherproof bullets
- 8 x 1.3 megapixel vandal-resistant mini domes
- Pre-installed 2TB surveillance HDD
- HDMI, CAT5 and network cables included
- Record 1.3MP (1280 x 960) at 25fps
- Built-in 16 port Power over Ethernet (PoE)
- Remote view configuration via QR code
- View on iOS, Android & Windows Phone devices



www.vip-vision.com

Professional 16 Channel IP Surveillance Kit

Model: NVR16PROPACK4



Product Overview

The VIP Vision NVR16PROPACK4 is a complete 16 camera, IP surveillance system, purpose built for home and business. It includes a professional grade H.264 network video recorder, eight 1.3 megapixel day/night IP weatherproof bullet cameras, eight 1.3 megapixel vandal resistant day/night dome cameras, a 2TB HDD and all required power, display and network cables (8x 10m, 4x 20m, 4x 30m CAT5). It is an ideal package for immediate deployment of high definition CCTV surveillance.

Installation of IP CCTV has never been easier with the NVR16PROPACK4. The NVR features a built-in 16 port Power over Ethernet (PoE) switch, supplying camera power, video, audio and PTZ control data across a single ethernet cable. Remote view is also configured in seconds using the QR code config tool.

The NVR16PROPACK4 can record 1.3 megapixel footage (1280 x 960) at 25fps across all cameras. Accessing footage and changing settings remotely is possible from a local PC or over the internet via the NVR web interface. The NVR16PROPACK4 can also backup footage to external USB devices, via local network or internal DVD burner (optional, not incl).

*Remote view available for iOS (iPhone, iPad), Google Android devices and Windows Phone devices. QR code config tool unavailable for Windows Phone.

Specifications - Digital Video Recorder		NVR16PRO4
System	Main Processor	Dual-core embedded processor
	Operating System	Embedded Linux
	Video Input	16 channel
	Two-way Talk	1 channel input / 1 channel output / BNC
Display	Video Output	HDMI / VGA / TV (BNC)
	Resolution	1920 x 1080 / 1280 x 1024 / 1280 x 720 / 1024 x 768
	Display Split	1/4/8/9/16
	OSD	Camera title, Time, Video loss, Camera lock, Motion detection
Recording	Video Compression	H.264 / MJPEG
	Max. Record Resolutions	5MP(2560x1920) / 3MP(2048x1536) / 1080p / 720p / D1
	Record Rate	Max. 128Mbps (eg. 16 channels 5.0MP at 8Mbps)
	Bit Rate	48~ 8192kbps
	Record Modes	Manual / Schedule (Regular [Continuous], MD, Alarm) / Stop
Detection	Record Interval	1~120 min (default: 60 min) / Pre: 1~30s / Post: 10~300s
	Alarm Input / Output	16 channels / 6 channels
	Trigger Events	Recording, PTZ, Tour, Alarm, Video Push, Email, FTP, Buzzer & Screen tips
	Video Detection	Motion Detection (Zones: 396), Video Loss & Camera Blank
Playback & Backup	Sync Playback	1/4/9/16
	Search Modes	Time/Date, Alarm, MD, Exact search (± 1s), Smart search
	Backup Modes	USB Device / Network / eSATA Device / Internal SATA burner
Network	Ethernet	1 RJ-45 port (10/100/1000Mbps)
	Power over Ethernet	16 ports (IEEE802.3af)
	Network Functions	HTTP, TCP/IP, IPv4/IPv6, UPNP, RTSP, UDP, SMTP, NTP, DHCP, DNS, IP Filter, PPPOE, DDNS, FTP, Alarm Server, IP Search
	Max. User Access	20 users
Storage	Remote View	iOS (iPhone, iPad) / Android devices / Windows Phone
	Internal HDD	4 SATA ports, up to 16TB, RAID / 1 eSATA port
Auxiliary	USB Interface	3 ports: 2 x Rear USB2.0 / 1 x Front USB2.0
	RS232	1 port for PC communication & keyboard
	RS485	1 port for PTZ control
General	Power Supply	100 ~ 240VAC, 50 ~ 60Hz
	Power Consumption	NVR: 40W (without HDD) / PoE: Max 15W per port
	Operating Environment	-10 ~ 55°C / 10 ~ 90%RH / 86 ~ 106kpa
	Dimensions	440 x 460 x 68mm / 1.5U
	Weight	5.0kg (without HDD)

Specifications - Cameras		8 x VSIP1MPFBIRV2	8 x VSIP1MPVDMINIIRC
Camera	Camera Type	1.3MP weatherproof bullet	1.3MP vandal-resistant dome
	Image Sensor	1/3" 1.3MP Aptina CMOS	1/3" 1.3MP CMOS
	Lens		3.6mm Fixed Lens
	Angle of View		70°
Video	Day/Night		Auto (ICR) / Colour / B&W
	Video Compression	H.264 / MJPEG	
	Maximum Resolution	1.3MP (1280x960) / 720p (1280x720) / D1 (704x576)	
General	Maximum Frame Rate	1.3MP/720p (1 ~ 25fps)	
	Ingress Protection		IP66
	Vandal Resistant	No	IK10
	Maximum Infrared Range		30m
	Power Input	12VDC / PoE (802.3af)	
	Operating Environment	-20° to 60°C / RH95% (max)	

Your VIP Vision IP surveillance dealer:



Crucial evidence. Always.



www.vip-vision.com

Your VIP Vision IP surveillance dealer:

