

# SECURVIEW™ VICTORY SERIES

## HD Over Coax CCTV Solutions Guide



Experience your moment of victory™

# SECURVIEW™

## VICTORY SERIES

Experience your own moment of victory by upgrading your existing analogue surveillance system to high definition with the Securview Victory Series. The Victory Series consists of a wide range of professional HD video-over-coaxial cable surveillance solutions built for commercial and residential applications.

The Victory Series is purpose-built to deliver confidence and peace of mind in your surveillance system. The range features up to 1080p full HD recording, enabling you to capture large images with fine detail. Don't be left wondering when you need to rely on your CCTV, ensure you have usable video evidence when it matters most. See below for three great reasons why you should choose the Securview Victory Series.



### 1. The ideal HD over coax technology

Each product in the range uses the HDCVI (high definition composite video interface) video transmission standard, established by the CCTV industry for the CCTV industry.

Thanks to this technology, HD video, audio and control data can be sent reliably across coaxial cable over long distances with low latency and excellent anti-interference properties - up to 300m in 1080p systems and up to 500m for 720p systems. This flexibility makes HDCVI systems far superior to other HD-over-coax CCTV solutions available.



### 2. Analogue to 1080p full HD in an instant

Upgrade existing analogue CCTV installations quickly and easily to high definition systems with Securview Victory Series range. Upgrades can be performed using existing coaxial cable - simply change the DVR and the cameras to Securview Victory Series and boost your CCTV image resolution in an instant.

The Victory Series camera range includes a variety of 720p HD and 1080p full HD models to cater to a wide scope of surveillance requirements.

### 3. Take your HD surveillance with you anywhere

For complete peace of mind, the Victory Series has comprehensive remote view capabilities built-in to each product in the range. Compatible with iOS - iPhone, iPad (search iDMSS), Android (gDMSS) and Windows Phone\* (DMSS) devices.

You can live view your surveillance system live, play back recorded footage, save image snapshots to your device and more. Every Victory Series DVR also features QR code scanning for remote view setup, so you can have your CCTV system on your device in seconds.



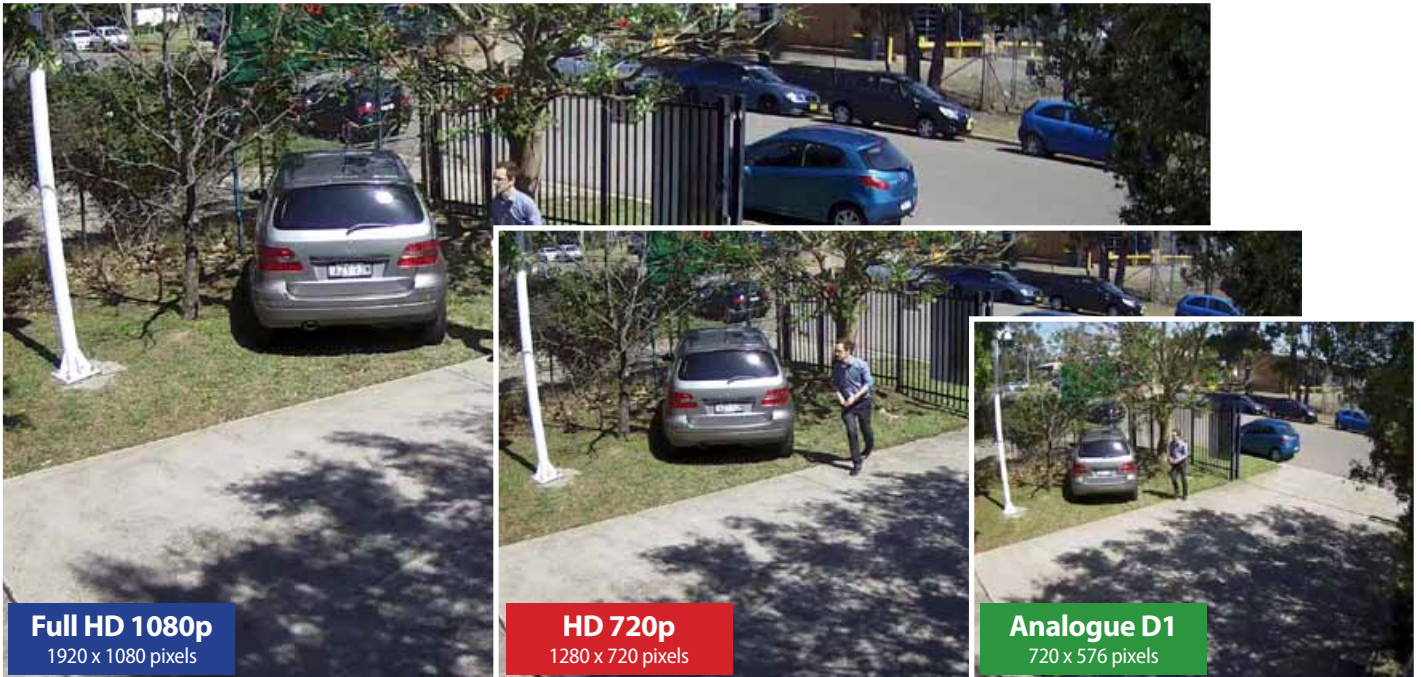
\*Limited functionality on Windows Phone devices.



# Experience your moment of victory™

## See the Full HD Difference

The following sample images are direct footage snapshots taken using products from the Victory Series (1080p & 720p) and a conventional analogue camera. Driveway with parked car at 12m distance in harsh midday sun.



The greater resolving power of the Securview Victory Series range means more data is captured, providing larger images and preserving finer details. The best resolution common analogue DVRs can provide, D1 resolution (720 x 576), simply cannot offer the detail required for usable video evidence. Whereas the 1080p Full HD Victory Series cameras capture more than 5 times the resolution of analogue D1, keeping essential data such as the number plate detail, in tact.



Once you go HD, you'll never want to go back and thanks to the Securview Victory Series, upgrading from analogue has never been easier. Read on to see the full Securview Victory Series range.





# Deliver 1080p up to 300m.

## 4 Channel 1080p HDCVI Digital Video Recorder

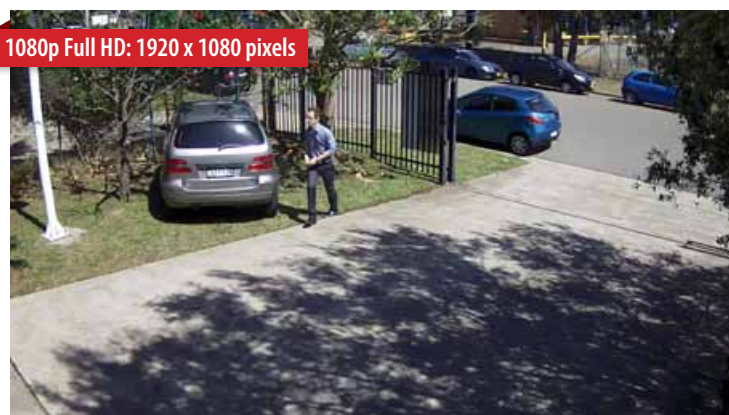
### Model: CVR4V2

- Records 1080p full HD resolution up to 12fps
- Up to 300m transmission distance (1080p)
- 1x SATA port for up to 4TB of HDD capacity
- Configure remote view in seconds via QR code
- Utilises the HDCVI transmission standard
- HDMI & VGA simultaneous video output
- Backup via external USB device or local network
- Remote view for iOS, Android & Windows Phone

## Upgrade from analogue to more than quadruple your image resolution!

Experience your moment of victory:

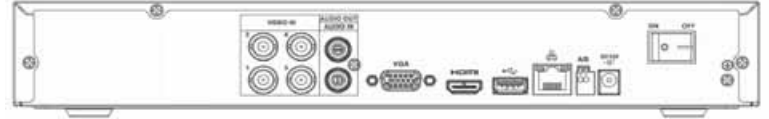
- Upgrade your system
- Boost image resolution
- Capture fine detail
- Get usable evidence
- Enjoy peace of mind





# 4 Channel 1080p HDCVI Digital Video Recorder

Model: CVR4V2



RECORD FULL HD

REMOTE VIEW

CONFIG VIA QR

UP TO 4TB HDD

## Product Overview

The CVR4V2 is a compact 4 channel HDCVI (high definition composite video interface) DVR capable of 1080p full HD and 720p HD recording over coaxial cable. It features a single internal SATA port for up to 4TB of HDD storage and has HDMI and VGA video outputs. This DVR also features comprehensive remote view capabilities (iOS, Android & Windows Phone) and backup functionality (USB/network).

Victory Series DVRs are the ideal HD video over coax solution, utilising the HDCVI video transmission standard to deliver video, audio and control data across a single coaxial cable. Thanks to this technology, the CVR4V2 offers reliable, long distance, full HD 1080p video transmission up to 300m with low latency and excellent anti-interference properties (720p up to 500m / using 75-3 coax).

Victory Series systems can also be implemented into an existing analogue system without having to re-run coaxial cable, making traditional analogue to megapixel HD-over-coax CCTV upgrades easier than ever before.

When recording at 1080p, the CVR4V2 delivers more than five times the image resolution compared to traditional D1 (720 x 576) analogue systems and over 20x vs CIF systems (352 x 288). Go beyond analogue, capture fine detail and ensure you have usable evidence when it matters most.



Specifications		
System	Main Processor	Embedded processor
	Operating System	Embedded Linux OS
	Video Input	4 channel BNC
	Audio Input	4 channel RCA
	Audio Output	1 channel RCA
	Two-way Talk	Reuse channel 1 audio input/output
Display	Video Output	1 HDMI / 1 VGA
	Resolution	1920x 1080, 1280x 1024, 1280x 720, 1024x 768, 800x 600
	Display Split	1 / 4
	Privacy Masking	4 rectangular zones per camera
	OSD	Camera title, time, video loss, camera lock & motion detection
Recording	Video/Audio Compression	H.264 / G.711
	Resolution	1080p (1920 x 1080) / 720p (1280 x 720)
	Record Rate	Main: 1080p (1~12fps), 720p (1~25fps) / Sub: D1 (1~12fps)
	Bit Rate	48~4096Kb/s
	Record Modes	Manual / Schedule (Regular [Continuous], MD) / Stop
	Record Interval	1~60 min (default: 60 min) / Pre: 1~30s / Post: 10~300s
Detection	Alarm Input	4 channels
	Alarm Output	3 channels
	Trigger Events	Recording; PTZ; predefined tour; push video notification; email notification; FTP upload; internal buzzer; and screen tip overlay
	Video Detection	Motion detection (zones: 396 [22 x 18]) / Video loss / Camera blank
Playback & Backup	Sync Playback	1 / 4
	Search Modes	Time/Date; Motion detection; Exact search (to the second)
	Backup Modes	USB Device / Network
Network	Ethernet	RJ-45 port (10/100M)
	Network Functions	HTTP, IPv4/IPv6, TCP/IP, UPNP, RTSP, UDP, SMTP, NTP, DHCP, DNS, PPPoE, DDNS, FTP, P2P, IP Filter
	Max. User Access	128 users
	Remote View	iOS (iPhone, iPad); Android devices, Windows Phone
Storage	Internal HDD	1 SATA port, up to 4TB
Auxiliary	USB Interface	2 ports (1 Rear), USB2.0
	RS232	N/A
	RS485	1 port, for PTZ Control
General	Power Supply	DC12V/2A
	Power Consumption	10W (without HDD)
	Operating Environment	-10 ~+55°C / 10~90%RH / 86~106kpa
	Dimensions	325mmx 255mmx 55mm (Mini 1U)
	Weight	1.5kg (without HDD)





# HD Analogue Made Easy.

## 8 Channel 1080p HDCVI Digital Video Recorder

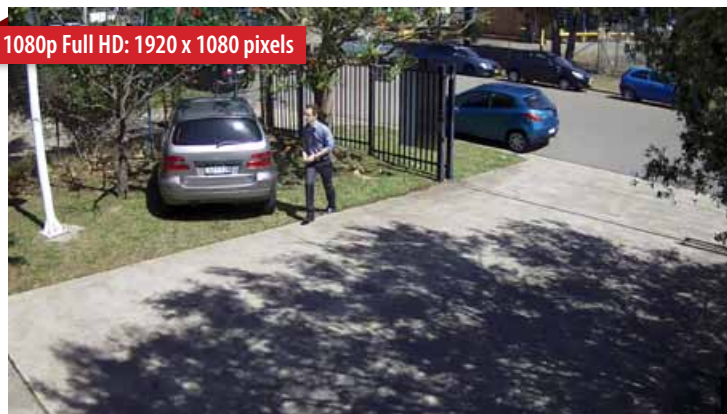
**Model: CVR8V2**

- Records 1080p full HD resolution up to 12fps
- Up to 300m transmission distance (1080p)
- 2x SATA port for up to 8TB of HDD capacity
- Configure remote view in seconds via QR code
- Integrates with existing IP & analogue cameras
- HDMI & VGA simultaneous video output
- Backup via external USB device or local network
- Remote view for iOS, Android & Windows Phone

### Upgrade from analogue to more than quadruple your image resolution!

Experience your moment of victory:

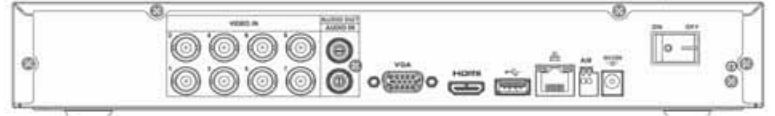
- Upgrade your system
- Boost image resolution
- Capture fine detail
- Get usable evidence
- Enjoy peace of mind





# 8 Channel 1080p HDCVI Digital Video Recorder

Model: CVR8V2



## Product Overview

The CVR8V2 is an 8 channel HDCVI (high definition composite video interface) DVR capable of 1080p full HD and 720p HD recording over coaxial cable. It features two internal SATA ports for up to 8TB of HDD storage and has HDMI and VGA video outputs. This DVR also features comprehensive remote view capabilities (iOS, Android & Windows Phone) and backup functionality (USB/network).

Victory Series DVRs are the ideal HD video over coax solution, utilising the HDCVI video transmission standard to deliver video, audio and control data across a single coaxial cable. Thanks to this technology, the CVR8V2 offers reliable, long distance, full HD 1080p video transmission up to 300m with low latency and excellent anti-interference properties (720p up to 500m / using 75-3 coax).

Victory Series systems can also be implemented into an existing analogue systems without having to re-run coaxial cable. The CVR8V2 can even record existing IP (up to 2 channels at full HD 1080p) and analogue cameras (8 channels at D1), making existing low resolution to high definition surveillance upgrades easier than ever before.

When recording at 1080p, the CVR8V2 delivers more than five times the image resolution compared to traditional D1 (720 x 576) analogue systems and over 20x vs CIF systems (352 x 288). Go beyond analogue, capture fine detail and ensure you have usable evidence when it matters most.

## Specifications

Specifications		
System	Main Processor	Embedded processor
	Operating System	Embedded Linux OS
	Video Input	8 channel BNC
	Audio Input	4 channel RCA
	Audio Output	1 channel RCA
	Two-way Talk	Reuse channel 1 audio input/output
Display	Video Output	1 HDMI / 1 VGA
	Resolution	1920x 1080, 1280x 1024, 1280x 720, 1024x 768, 800x 600
	Display Split	1 / 4 / 8 / 9
	Privacy Masking	4 rectangular zones per camera
	OSD	Camera title, time, video loss, camera lock & motion detection
Recording	Video/Audio Compression	H.264 / G.711
	Resolution	1080p (1920 x 1080) / 720p (1280 x 720)
	Record Rate	Main: 1080p (1~12fps), 720p (1~25fps) / Sub: D1 (1~12fps)
	Bit Rate	48~4096Kb/s
	Record Modes	Manual / Schedule (Regular [Continuous], MD) / Stop
	Record Interval	1~60 min (default: 60 min) / Pre: 1~30s / Post: 10~300s
Detection	Alarm Input	8 channels
	Alarm Output	3 channels
	Trigger Events	Recording; PTZ; predefined tour; push video notification; email notification; FTP upload; internal buzzer; and screen tip overlay
	Video Detection	Motion detection (zones: 396 [22 x 18]) / Video loss / Camera blank
Playback & Backup	Sync Playback	1 / 4 / 9
	Search Modes	Time/Date; Motion detection; Exact search (to the second)
	Backup Modes	USB Device / Network
Network	Ethernet	RJ-45 port (10/100M/1000M)
	Network Functions	HTTP, IPv4/IPv6, TCP/IP, UPNP, RTSP, UDP, SMTP, NTP, DHCP, DNS, PPPoE, DDNS, FTP, P2P, IP Filter
	Max. User Access	128 users
	Remote View	iOS (iPhone, iPad); Android devices, Windows Phone
Storage	Internal HDD	2 SATA port, up to 8TB
Auxiliary	USB Interface	2 ports (1 Rear), USB2.0
	RS232	N/A
	RS485	1 port, for PTZ Control
General	Power Supply	DC12V/4A
	Power Consumption	15W (without HDD)
	Operating Environment	-10 ~+55°C / 10~90%RH / 86~106kpa
	Dimensions	375mmx 285mmx 55mm (1U)
	Weight	2.35kg (without HDD)





**FULL HD 1080P**  
*HD Video Over Coaxial Cable Technology*

# 5x Greater Image Quality.

## 16 Channel 1080p HDCVI Digital Video Recorder

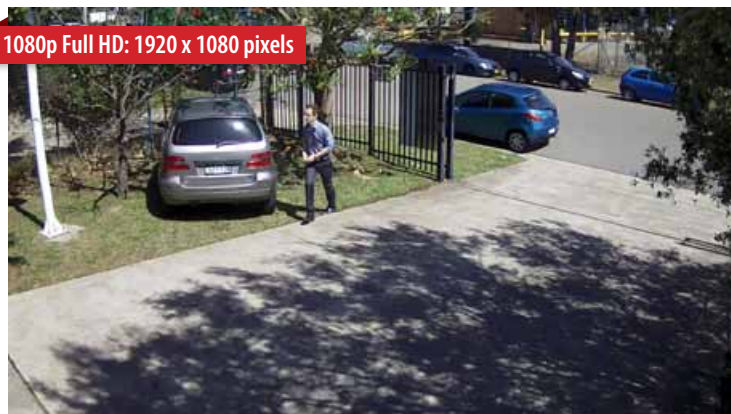
**Model: CVR16V2**

- Records 1080p full HD resolution up to 12fps
- Up to 300m transmission distance (1080p)
- 2x SATA port for up to 8TB of HDD capacity
- Configure remote view in seconds via QR code
- Integrates with existing IP & analogue cameras
- HDMI & VGA simultaneous video output
- Backup via external USB device or local network
- Remote view for iOS, Android & Windows Phone

### Upgrade from analogue to more than quadruple your image resolution!

Experience your moment of victory:

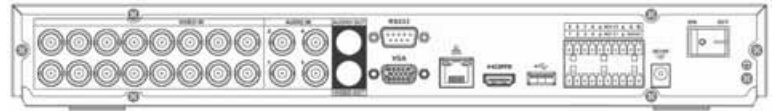
- Upgrade your system
- Boost image resolution
- Capture fine detail
- Get usable evidence
- Enjoy peace of mind





# 16 Channel 1080p HDCVI Digital Video Recorder

Model: CVR16V2



RECORD FULL HD



REMOTE VIEW



CONFIG VIA QR



UP TO 8TB HDD

## Product Overview

The CVR16V2 is a 16 channel HDCVI (high definition composite video interface) DVR capable of 1080p full HD and 720p HD recording over coaxial cable. It features two internal SATA ports for up to 8TB of HDD storage and has HDMI and VGA video outputs. This DVR also features comprehensive remote view capabilities (iOS, Android & Windows Phone) and backup functionality (USB/network).

Victory Series DVRs are the ideal HD video over coax solution, utilising the HDCVI video transmission standard to deliver video, audio and control data across a single coaxial cable. Thanks to this technology, the CVR16V2 offers reliable, long distance, full HD 1080p video transmission up to 300m with low latency and excellent anti-interference properties (720p up to 500m / using 75-3 coax).

Victory Series systems can also be implemented into an existing analogue systems without having to re-run coaxial cable. The CVR16V2 can even record existing IP (up to 2 channels at full HD 1080p) and analogue cameras (16 channels at D1), making existing low resolution to high definition surveillance upgrades easier than ever before.

When recording at 1080p, the CVR16V2 delivers more than five times the image resolution compared to traditional D1 (720 x 576) analogue systems and over 20x vs CIF systems (352 x 288). Go beyond analogue, capture fine detail and ensure you have usable evidence when it matters most.



Specifications		
System	Main Processor	Embedded processor
	Operating System	Embedded Linux OS
	Video Input	16 channel BNC
	Audio Input	4 channel RCA
	Audio Output	1 channel RCA
	Two-way Talk	Reuse channel 1 audio input/output
Display	Video Output	1 HDMI / 1 VGA
	Resolution	1920x 1080, 1280x 1024, 1280x 720, 1024x 768, 800x 600
	Display Split	1 / 4 / 8 / 9 / 16
	Privacy Masking	4 rectangular zones per camera
	OSD	Camera title, time, video loss, camera lock & motion detection
Recording	Video/Audio Compression	H.264 / G.711
	Resolution	1080p (1920 x 1080) / 720p (1280 x 720)
	Record Rate	Main: 1080p (1~12fps), 720p (1~25fps) / Sub: D1 (1~12fps)
	Bit Rate	48~4096Kb/s
	Record Modes	Manual / Schedule (Regular [Continuous], MD) / Stop
	Record Interval	1~60 min (default: 60 min) / Pre: 1~30s / Post: 10~300s
Detection	Alarm Input	16 channels
	Alarm Output	3 channels
	Trigger Events	Recording; PTZ; predefined tour; push video notification; email notification; FTP upload; internal buzzer; and screen tip overlay
	Video Detection	Motion detection (zones: 396 [22 x 18]) / Video loss / Camera blank
Playback & Backup	Sync Playback	1 / 4 / 9 / 16
	Search Modes	Time/Date; Motion detection; Exact search (to the second)
	Backup Modes	USB Device / Network
Network	Ethernet	RJ-45 port (10/100M/1000M)
	Network Functions	HTTP, IPv4/IPv6, TCP/IP, UPNP, RTSP, UDP, SMTP, NTP, DHCP, DNS, PPPoE, DDNS, FTP, P2P, IP Filter
	Max. User Access	128 users
	Remote View	iOS (iPhone, iPad); Android devices, Windows Phone
Storage	Internal HDD	2 SATA port, up to 8TB
Auxiliary	USB Interface	2 ports (1 Rear), USB2.0
	RS232	N/A
	RS485	1 port, for PTZ Control
General	Power Supply	DC12V/5A
	Power Consumption	15W (without HDD)
	Operating Environment	-10 ~+55°C / 10~90%RH / 86~106kpa
	Dimensions	375mmx 285mmx 55mm (1U)
	Weight	2.35kg (without HDD)



# Large Scale HD Upgrades.

## 32 Channel 1080p HDCVI Digital Video Recorder

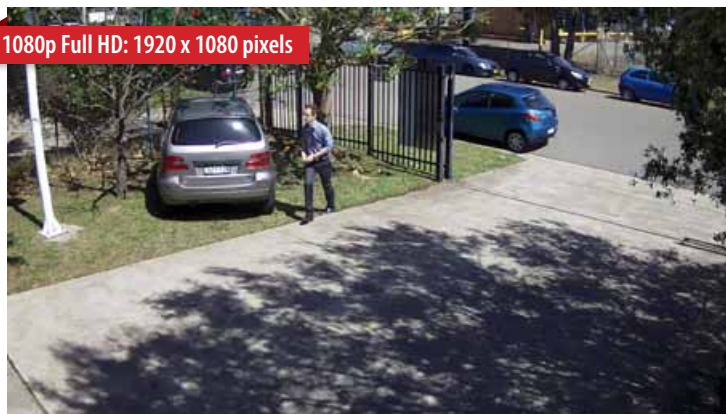
### Model: CVR32

- Records 1080p full HD resolution up to 12fps
- Up to 300m transmission distance (1080p)
- 8x SATA port for up to 32TB of HDD capacity
- Configure remote view in seconds via QR code
- Utilises the HDCVI transmission standard
- HDMI, VGA & BNC simultaneous video output
- Backup via external USB device or local network
- Remote view for iOS, Android & Windows Phone

### Upgrade from analogue to more than quadruple your image resolution!

Experience your moment of victory:

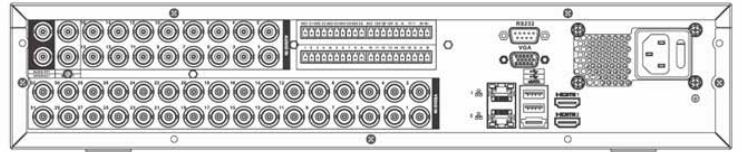
- Upgrade your system
- Boost image resolution
- Capture fine detail
- Get usable evidence
- Enjoy peace of mind





# 32 Channel 1080p HDCVI Digital Video Recorder

Model: CVR32



## Product Overview

The CVR32 is a 32 channel HDCVI (high definition composite video interface) DVR capable of 1080p full HD and 720p HD recording over coaxial cable. It features eight internal SATA ports for up to 32TB of HDD storage and has 2x HDMI, 1x VGA and 1x TV (BNC) video outputs. This DVR also features comprehensive remote view capabilities (iOS, Android & Windows Phone) and backup functionality (USB/network).

Victory Series DVRs are the ideal HD video over coax solution, utilising the HDCVI video transmission standard to deliver video, audio and control data across a single coaxial cable. Thanks to this technology, the CVR32 offers reliable, long distance, full HD 1080p video transmission up to 300m with low latency and excellent anti-interference properties (720p up to 500m / using 75-3 coax).

Victory Series systems can also be implemented into an existing analogue system without having to re-run coaxial cable, making traditional analogue to megapixel HD-over-coax CCTV upgrades easier than ever before.

When recording at 1080p, the CVR32 delivers more than five times the image resolution compared to traditional D1 (720 x 576) analogue systems and over 20x vs CIF systems (352 x 288). Go beyond analogue, capture fine detail and ensure you have usable evidence when it matters most.



Specifications		
System	Main Processor	Embedded processor
	Operating System	Embedded Linux OS
	Video Input	32 channel BNC
	Audio Input	16 channel BNC
	Audio Output	1 channel BNC
	Two-way Talk	1 channel input/output BNC
Display	Video Output	2 HDMI / 1 VGA / 1 TV (BNC)
	Resolution	1920x 1080, 1280x 1024, 1280x 720, 1024x 768, 800x 600
	Display Split	1 / 4 / 8 / 9 / 16 / 25 / 32
	Privacy Masking	4 rectangular zones per camera
	OSD	Camera title, time, video loss, camera lock & motion detection
Recording	Video/Audio Compression	H.264 / G.711
	Resolution	1080p (1920 x 1080) / 720p (1280 x 720)
	Record Rate	Main: 1080p (1~12fps), 720p (1~25fps) / Sub: D1 (1~12fps)
	Bit Rate	48~8192Kb/s
	Record Modes	Manual / Schedule (Regular [Continuous], MD) / Stop
	Record Interval	1~120 min (default: 60 min) / Pre: 1~30s / Post: 10~300s
Detection	Alarm Input	16 channels
	Alarm Output	6 channels
	Trigger Events	Recording; PTZ; predefined tour; push video notification; email notification; FTP upload; internal buzzer; and screen tip overlay
	Video Detection	Motion detection (zones: 396 [22 x 18]) / Video loss / Camera blank
Playback & Backup	Sync Playback	1 / 4 / 9 / 16
	Search Modes	Time/Date; Motion detection; Exact search (to the second)
	Backup Modes	USB Device / Network / eSATA Device / Internal SATA burner
Network	Ethernet	2x RJ-45 port (10/100M/1000M)
	Network Functions	HTTP, IPv4/IPv6, TCP/IP, UPNP, RTSP, UDP, SMTP, NTP, DHCP, DNS, PPPoE, DDNS, FTP, P2P, IP Filter
	Max. User Access	128 users
	Remote View	iOS (iPhone, iPad); Android devices, Windows Phone
Storage	Internal HDD	8 SATA port, up to 32TB / 1 eSATA port, up to 16TB
	USB Interface	4 ports (2 Rear), USB2.0
Auxiliary	RS232	1 port, for PC communication & keyboard
	RS485	1 port, for PTZ Control / 1 port RS422 for keyboard
General	Power Supply	AC100~240V, 50~60Hz
	Power Consumption	40W
	Operating Environment	-10 ~+55°C / 10~90%RH / 86~106kpa
	Dimensions	440mmx 460mmx 89mm (2U)
	Weight	6.5kg (without HDD)



# 1080p Full HD 30m Infrared HDCVI Bullet Camera

Model: VSCVI2MPFBIRM



## Product Overview

The Securview Victory Series VSCVI2MPFBIRM is a 2.4 megapixel, motorised varifocal lens, infrared bullet camera and is capable of providing 1080p Full High Definition footage over coaxial cable.

It uses the HDCVI video transmission standard which enables HD video transmission distance up to 300m (1080p using 75-3 coax) with low latency and low interference.

The camera's motorised lens and IP66 rating make it a perfect surveillance solution across a wide range of CCTV applications.

This camera is only compatible with digital video recorders in the Securview Victory Series.

## Product Accessories (optional)



VSBKTA122

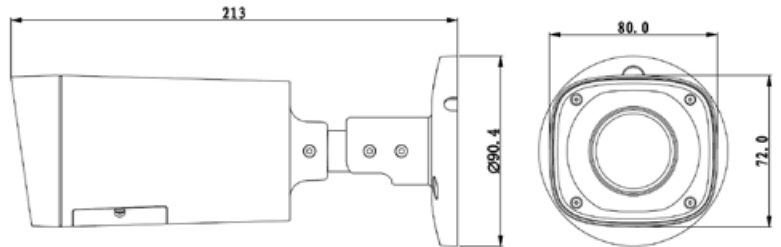


VSBKTA150



VSBKTA150

Specifications		
General	Camera Style	Weatherproof Bullet
	Image Sensor	1/2.8" 2.4 Megapixel CMOS
	Effective Pixels	1984 (H) x 1225 (V)
	Signal Noise Ratio	> 50dB
Camera	Lens	2.7 ~ 12mm Motorised Lens
	Angle of View	105° (wide) ~ 33° (tele)
	Electronic Shutter	1/3 ~ 1/100,000s
	Minimum Illumination	0.05 Lux at F1.2 (Colour) / 0 Lux IR Active
	Day/Night	Auto (ICR) / Colour / B&W
	White Balance	Auto
	Noise Reduction	2D / 3D
	Gain Control	Auto
	Backlight Compensation	BLC / HLC / DWDR
	Audio Input	N/A
	Audio Compression	N/A
	Transmission Distance	Over 300m via 75-3 coaxial cable
	Synchronisation	Internal
	OSD Menu	Support
Alarm Interface	N/A	
Video	Video Compression	H.264 / MJPEG
	Resolution	1080p (1920x1080) / 720p (1280x720) / D1 (704x576)
	Frame Rate	1080p / 720p (25fps)
	Video Output	BNC CVI HD output / CVBS SD output (switchable)
Environment	Ingress Protection	IP66
	Vandal Resistant	No
	Maximum Infrared Range	30m
	Power Input	DC12V±10%
	Power Consumption	< 7.5W
	Dimensions	213 x 80 x 72mm
	Weight	0.55kg
Operating Environment	-30° to 60°C / RH95% (max)	





# 720p HD 30m Infrared HDCVI Bullet Camera

Model: VSCVI1MPFBIRM



Specifications		
General	Camera Style	Weatherproof Bullet
	Image Sensor	1/3" 1.4 Megapixel CMOS
	Effective Pixels	1305 (H) x 1049 (V)
	Signal Noise Ratio	> 50dB
Camera	Lens	2.7 ~ 12mm Motorised Lens
	Angle of View	90° (wide) ~ 29° (tele)
	Electronic Shutter	1/3 ~ 1/100,000s
	Minimum Illumination	0.05 Lux at F1.2 (Colour) / 0 Lux IR Active
	Day/Night	Auto (ICR) / Colour / B&W
	White Balance	Auto
	Noise Reduction	2D / 3D
	Gain Control	Auto
	Backlight Compensation	BLC / HLC / DWDR
	Audio Input	N/A
	Audio Compression	N/A
	Transmission Distance	Over 500m via 75-3 coaxial cable
	Synchronisation	Internal
	OSD Menu	Support
Alarm Interface	N/A	
Video	Video Compression	H.264 / MJPEG
	Resolution	720p (1280x720) / D1 (704x576)
	Frame Rate	720p (25fps)
	Video Output	BNC CVI HD output / CVBS SD output (switchable)
Environment	Ingress Protection	IP66
	Vandal Resistant	No
	Maximum Infrared Range	30m
	Power Input	DC12V±10%
	Power Consumption	< 7.5W
	Dimensions	213 x 80 x 72mm
	Weight	0.55kg
	Operating Environment	-30° to 60°C / RH95% (max)



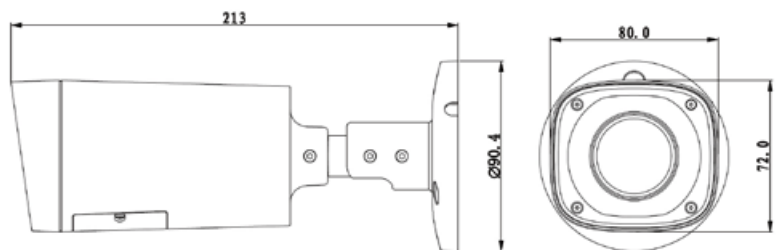
## Product Overview

The Securview Victory Series VSCVI1MPFBIRM is a 1.4 megapixel, motorised varifocal lens, infrared bullet camera and is capable of providing 720p High Definition footage over coaxial cable.

It uses the HDCVI video transmission standard which enables HD video transmission distance up to 500m (720p using 75-3 coax) with low latency and low interference.

The camera's motorised lens and IP66 rating make it a perfect surveillance solution across a wide range of CCTV applications.

This camera is only compatible with digital video recorders in the Securview Victory Series.



## Product Accessories (optional)



VSBKTA122



VSBKTA152



VSBKTA150

# 1080p Full HD 20m Infrared HDCVI Bullet Camera

Model: VSCVI2MPFBIRV2



Full HD  
1080



## Product Overview

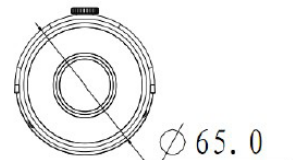
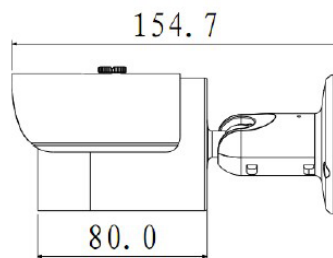
The Securview Victory Series VSCVI2MPFBIRV2 is a 2.4 megapixel, fixed lens, infrared bullet camera and is capable of providing 1080p Full High Definition footage over coaxial cable.

It uses the HDCVI video transmission standard which enables transmission distance up to 300m (1080p using 75-3 coax) with low latency and low interference.

Its compact size and IP66 rating makes it a perfect surveillance solution across a wide range of applications.

This camera is only compatible with digital video recorders in the Securview Victory Series.

Specifications		
General	Camera Style	Weatherproof Mini Bullet
	Image Sensor	1/3" 2.4 Megapixel CMOS
	Effective Pixels	1984 (H) x 1225 (V)
	Signal Noise Ratio	> 50dB
Camera	Lens	3.6mm Fixed Lens
	Angle of View	88°
	Electronic Shutter	1/3 ~ 1/100,000s
	Minimum Illumination	0.05 Lux at F1.2 (Colour) / 0 Lux IR Active
	Day/Night	Auto (ICR) / Colour / B&W
	White Balance	Auto
	Noise Reduction	2D / 3D
	Gain Control	Auto
	Backlight Compensation	BLC / HLC / DWDR
	Audio Input	N/A
	Audio Compression	N/A
	Transmission Distance	Over 300m via 75-3 coaxial cable
	Synchronisation	Internal
	OSD Menu	Support
Alarm Interface	N/A	
Video	Video Compression	H.264 / MJPEG
	Resolution	1080p (1920x1080) / 720p (1280x720) / D1 (704x576)
	Frame Rate	1080p / 720p (25fps)
	Video Output	BNC CVI HD output / CVBS SD output (switchable)
Environment	Ingress Protection	IP66
	Vandal Resistant	No
	Maximum Infrared Range	20m
	Power Input	DC12V±10%
	Power Consumption	< 4.5W
	Dimensions	70 x 66 x 160mm
	Weight	0.38kg
Operating Environment	-30° to 60°C / RH95% (max)	



## Product Accessories (optional)



VSBKTA122



VSBKTA130



VSBKTA152



# 720p HD 20m Infrared HDCVI Bullet Camera

Model: VSCVI1MPFBIR



Specifications		
General	Camera Style	Weatherproof Mini Bullet
	Image Sensor	1/3" 1.3 Megapixel CMOS
	Effective Pixels	1280 (H) x 960 (V)
	Signal Noise Ratio	> 50dB
Camera	Lens	3.6mm Fixed Lens
	Angle of View	70°
	Electronic Shutter	4/25 ~ 1/45,000s
	Minimum Illumination	0.01 Lux at F1.2 (Colour) / 0 Lux IR Active
	Day/Night	Auto (ICR) / Colour / B&W
	White Balance	Auto
	Noise Reduction	2D / 3D
	Gain Control	Auto
	Backlight Compensation	BLC / HLC / DWDR
	Audio Input	N/A
	Audio Compression	N/A
	Transmission Distance	Over 500m via 75-3 coaxial cable
	Synchronisation	Internal
	OSD Menu	Support
Alarm Interface	N/A	
Video	Video Compression	H.264 / MJPEG
	Resolution	720p (1280x720) / D1 (704x576)
	Frame Rate	720p (25fps)
	Video Output	BNC CVI HD output / CVBS SD output (switchable)
Environment	Ingress Protection	IP66
	Vandal Resistant	No
	Maximum Infrared Range	20m
	Power Input	DC12V±10%
	Power Consumption	< 4.2W
	Dimensions	70 x 66 x 160mm
	Weight	0.38kg
	Operating Environment	-30° to 60°C / RH95% (max)



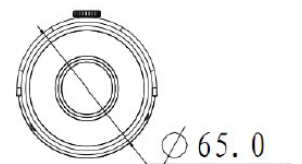
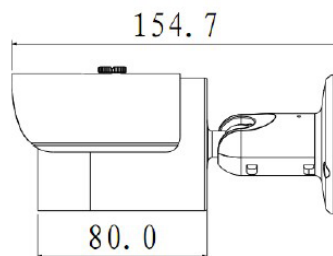
## Product Overview

The Securview Victory Series VSCVI1MPFBIR is a 1.3 megapixel, fixed lens, infrared bullet camera and is capable of providing 720p High Definition footage over coaxial cable.

It uses the HDCVI video transmission standard which enables transmission distance up to 500m (720p using 75-3 coax) with low latency and low interference.

Its compact size and IP66 rating makes it a perfect surveillance solution across a wide range of applications.

This camera is only compatible with digital video recorders in the Securview Victory Series.



## Product Accessories (optional)



VSBKTA122



VSBKTA130



VSBKTA152

# 1080p Full HD 30m Infrared HDCVI Dome Camera

Model: VSCVI2MPVDIRM



## Product Overview

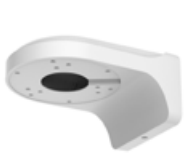
The Securview Victory Series VSCVI2MPVDIRM is a 2.4 megapixel, motorised varifocal lens, infrared dome camera and is capable of providing 1080p Full High Definition footage over coaxial cable.

It uses the HDCVI video transmission standard which enables HD video transmission distance up to 300m (1080p using 75-3 coax) with low latency and low interference.

The camera's motorised lens, IK10 vandal resistance and IP66 rating make it a perfect surveillance solution across a wide range of CCTV applications.

This camera is only compatible with digital video recorders in the Securview Victory Series.

## Product Accessories (optional)



VSBKTB200W

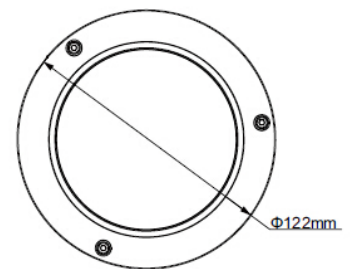
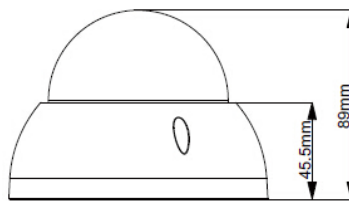


VSBKTA123



VSBKTA151

Specifications		
General	Camera Style	Vandal Resistant Dome
	Image Sensor	1/2.8" 2.4 Megapixel CMOS
	Effective Pixels	1984 (H) x 1225 (V)
	Signal Noise Ratio	> 50dB
Camera	Lens	2.7 ~ 12mm Motorised Lens
	Angle of View	105° (wide) ~ 33° (tele)
	Electronic Shutter	1/3 ~ 1/100,000s
	Minimum Illumination	0.05 Lux at F1.2 (Colour) / 0 Lux IR Active
	Day/Night	Auto (ICR) / Colour / B&W
	White Balance	Auto
	Noise Reduction	2D / 3D
	Gain Control	Auto
	Backlight Compensation	BLC / HLC / DWDR
	Audio Input	N/A
	Audio Compression	N/A
	Transmission Distance	Over 300m via 75-3 coaxial cable
	Synchronisation	Internal
	OSD Menu	Support
Alarm Interface	N/A	
Video	Video Compression	H.264 / MJPEG
	Resolution	1080p (1920x1080) / 720p (1280x720) / D1 (704x576)
	Frame Rate	1080p / 720p (25fps)
	Video Output	BNC CVI HD output / CVBS SD output (switchable)
Environment	Ingress Protection	IP66
	Vandal Resistant	IK10
	Maximum Infrared Range	30m
	Power Input	DC12V±10%
	Power Consumption	< 9.6W
	Dimensions	Ø122 x 89mm
	Weight	0.45kg
Operating Environment	-30° to 60°C / RH95% (max)	





# 720p HD 30m Infrared HDCVI Dome Camera

Model: VSCVI1MPVDIRM



## Product Overview

The Securview Victory Series VSCVI1MPVDIRM is a 1.4 megapixel, motorised varifocal lens, infrared dome camera and is capable of providing 720p High Definition footage over coaxial cable.

It uses the HDCVI video transmission standard which enables HD video transmission distance up to 500m (1080p using 75-3 coax) with low latency and low interference.

The camera's motorised lens, IK10 vandal resistance and IP66 rating make it a perfect surveillance solution across a wide range of CCTV applications.

This camera is only compatible with digital video recorders in the Securview Victory Series.

## Product Accessories (optional)



VSBKTB200W

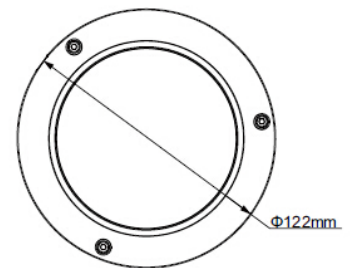
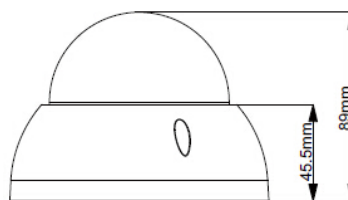


VSBKTA123



VSBKTA151

Specifications		
General	Camera Style	Weatherproof Mini Dome
	Image Sensor	1/3" 1.4 Megapixel CMOS
	Effective Pixels	1305 (H) x 1049 (V)
	Signal Noise Ratio	> 50dB
Camera	Lens	2.7 ~ 12mm Motorised Lens
	Angle of View	90° (wide) ~ 29° (tele)
	Electronic Shutter	4/25 ~ 1/45,000s
	Minimum Illumination	0.01 Lux at F1.2 (Colour) / 0 Lux IR Active
	Day/Night	Auto (ICR) / Colour / B&W
	White Balance	Auto
	Noise Reduction	2D / 3D
	Gain Control	Auto
	Backlight Compensation	BLC / HLC / DWDR
	Audio Input	N/A
	Audio Compression	N/A
	Transmission Distance	Over 500m via 75-3 coaxial cable
	Synchronisation	Internal
	OSD Menu	Support
Alarm Interface	N/A	
Video	Video Compression	H.264 / MJPEG
	Resolution	720p (1280x720) / D1 (704x576)
	Frame Rate	720p (25fps)
	Video Output	BNC CVI HD output / CVBS SD output (switchable)
Environment	Ingress Protection	IP66
	Vandal Resistant	IK10
	Maximum Infrared Range	30m
	Power Input	DC12V±10%
	Power Consumption	< 9.6W
	Dimensions	Ø122 x 89mm
	Weight	0.45kg
Operating Environment	-30° to 60°C / RH95% (max)	



# 1080p Full HD 20m Infrared HDCVI Dome Camera

Model: VSCVI2MPVDIR



## Product Overview

The Securview Victory Series VSCVI2MPVDIR is a 2.4 megapixel, fixed lens, infrared dome camera and is capable of providing 1080p Full High Definition footage over coaxial cable.

It uses the HDCVI video transmission standard which enables HD video transmission distance up to 300m (1080p using 75-3 coax) with low latency and low interference.

The camera's IK10 vandal resistance and IP66 rating make it a perfect surveillance solution across a wide range of CCTV applications.

This camera is only compatible with digital video recorders in the Securview Victory Series.

## Product Accessories (optional)



VSBKT200W

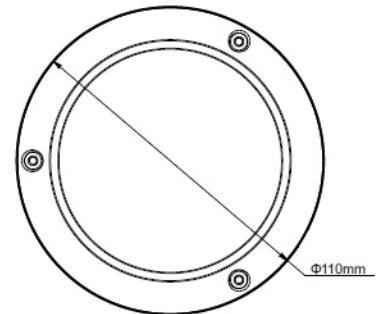
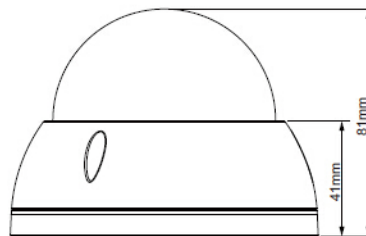


VSBKTA131



VSBKTA151

Specifications		
General	Camera Style	Vandal Resistant Dome
	Image Sensor	1/2.8" 2.4 Megapixel CMOS
	Effective Pixels	1984 (H) x 1225 (V)
	Signal Noise Ratio	> 50dB
Camera	Lens	3.6mm Fixed Lens
	Angle of View	88°
	Electronic Shutter	1/3 ~ 1/100,000s
	Minimum Illumination	0.05 Lux at F1.2 (Colour) / 0 Lux IR Active
	Day/Night	Auto (ICR) / Colour / B&W
	White Balance	Auto
	Noise Reduction	2D / 3D
	Gain Control	Auto
	Backlight Compensation	BLC / HLC / DWDR
	Audio Input	N/A
	Audio Compression	N/A
	Transmission Distance	Over 300m via 75-3 coaxial cable
	Synchronisation	Internal
	OSD Menu	Support
Alarm Interface	N/A	
Video	Video Compression	H.264 / MJPEG
	Resolution	1080p (1920x1080) / 720p (1280x720) / D1 (704x576)
	Frame Rate	1080p / 720p (25fps)
	Video Output	BNC CVI HD output / CVBS SD output (switchable)
Environment	Ingress Protection	IP66
	Vandal Resistant	IK10
	Maximum Infrared Range	20m
	Power Input	DC12V±10%
	Power Consumption	< 4.0W
	Dimensions	Ø110 x 81mm
	Weight	0.30kg
Operating Environment	-30° to 60°C / RH95% (max)	





# 720p HD 20m Infrared HDCVI Dome Camera

Model: VSCVI1MPVDIR



Specifications		
General	Camera Style	Vandal Resistant Dome
	Image Sensor	1/3" 1.4 Megapixel CMOS
	Effective Pixels	1305 (H) x 1049 (V)
	Signal Noise Ratio	> 50dB
Camera	Lens	3.6mm Fixed Lens
	Angle of View	70°
	Electronic Shutter	1/3 ~ 1/100,000s
	Minimum Illumination	0.01 Lux at F1.2 (Colour) / 0 Lux IR Active
	Day/Night	Auto (ICR) / Colour / B&W
	White Balance	Auto
	Noise Reduction	2D / 3D
	Gain Control	Auto
	Backlight Compensation	BLC / HLC / DWDR
	Audio Input	N/A
	Audio Compression	N/A
	Transmission Distance	Over 500m via 75-3 coaxial cable
	Synchronisation	Internal
	OSD Menu	Support
Alarm Interface	N/A	
Video	Video Compression	H.264 / MJPEG
	Resolution	720p (1280x720) / D1 (704x576)
	Frame Rate	720p (25fps)
	Video Output	BNC CVI HD output / CVBS SD output (switchable)
Environment	Ingress Protection	IP66
	Vandal Resistant	IK10
	Maximum Infrared Range	20m
	Power Input	DC12V±10%
	Power Consumption	< 4.0W
	Dimensions	Ø110 x 81mm
	Weight	0.30kg
Operating Environment	-30° to 60°C / RH95% (max)	



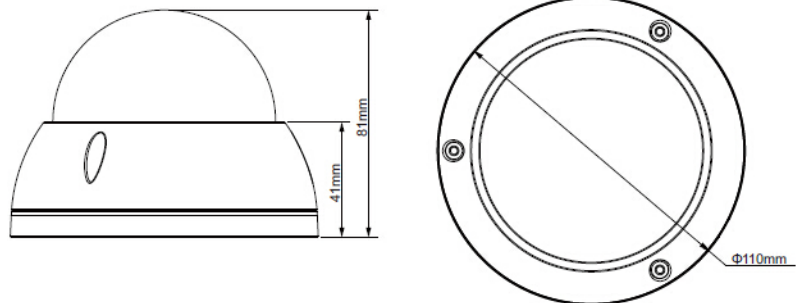
## Product Overview

The Securview Victory Series VSCVI2MPVDIR is a 1.4 megapixel, fixed lens, infrared dome camera and is capable of providing 720p High Definition footage over coaxial cable.

It uses the HDCVI video transmission standard which enables HD video transmission distance up to 500m (720p using 75-3 coax) with low latency and low interference.

The camera's IK10 vandal resistance and IP66 rating make it a perfect surveillance solution across a wide range of CCTV applications.

This camera is only compatible with digital video recorders in the Securview Victory Series.



## Product Accessories (optional)



VSBKTB200W



VSBKTA131



VSBKTA151

# 1080p Full HD 20m Infrared HDCVI Dome Camera

Model: VSCVI2MPDIRV2



## Product Overview

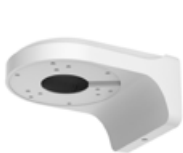
The Securview Victory Series VSCVI2MPDIRV2 is a 2.4 megapixel, fixed lens, infrared dome camera and is capable of providing 1080p Full High Definition footage over coaxial cable.

It uses the HDCVI video transmission standard which enables transmission distance up to 300m (1080p using 75-3 coax) with low latency and low interference.

Its compact size and IP66 rating makes it a perfect surveillance solution across a wide range of applications.

This camera is only compatible with digital video recorders in the Securview Victory Series.

## Product Accessories (optional)



VSBKT200W

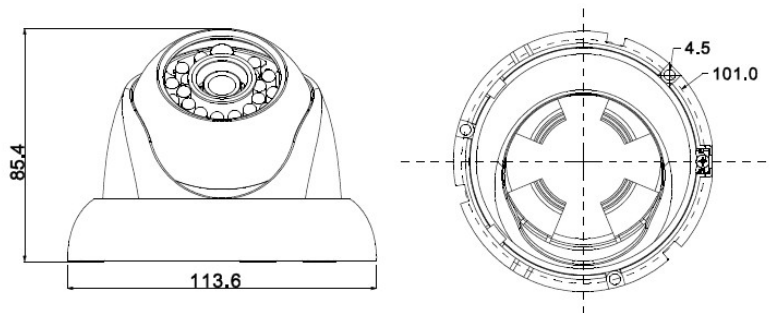


VSBKA130



VSBKA151

Specifications		
General	Camera Style	Weatherproof Mini Dome
	Image Sensor	1/3" 2.4 Megapixel CMOS
	Effective Pixels	1984 (H) x 1225 (V)
	Signal Noise Ratio	> 50dB
Camera	Lens	3.6mm Fixed Lens
	Angle of View	88°
	Electronic Shutter	1/3 ~ 1/100,000s
	Minimum Illumination	0.05 Lux at F1.2 (Colour) / 0 Lux IR Active
	Day/Night	Auto (ICR) / Colour / B&W
	White Balance	Auto
	Noise Reduction	2D / 3D
	Gain Control	Auto
	Backlight Compensation	BLC / HLC / DWDR
	Audio Input	N/A
	Audio Compression	N/A
	Transmission Distance	Over 300m via 75-3 coaxial cable
	Synchronisation	Internal
	OSD Menu	Support
Alarm Interface	N/A	
Video	Video Compression	H.264 / MJPEG
	Resolution	1080p (1920x1080) / 720p (1280x720) / D1 (704x576)
	Frame Rate	1080p / 720p (25fps)
	Video Output	BNC CVI HD output / CVBS SD output (switchable)
Environment	Ingress Protection	IP66
	Vandal Resistant	No
	Maximum Infrared Range	20m
	Power Input	DC12V±10%
	Power Consumption	< 3.5W
	Dimensions	Ø114 x 86mm
	Weight	0.30kg
	Operating Environment	-30° to 60°C / RH95% (max)





# 720p HD 20m Infrared HDCVI Dome Camera

Model: VSCVI1MPDIR



Specifications		
General	Camera Style	Weatherproof Mini Dome
	Image Sensor	1/3" 1.3 Megapixel CMOS
	Effective Pixels	1280 (H) x 960 (V)
	Signal Noise Ratio	> 50dB
Camera	Lens	3.6mm Fixed Lens
	Angle of View	70°
	Electronic Shutter	4/25 ~ 1/45,000s
	Minimum Illumination	0.01 Lux at F1.2 (Colour) / 0 Lux IR Active
	Day/Night	Auto (ICR) / Colour / B&W
	White Balance	Auto
	Noise Reduction	2D / 3D
	Gain Control	Auto
	Backlight Compensation	BLC / HLC / DWDR
	Audio Input	N/A
	Audio Compression	N/A
	Transmission Distance	Over 500m via 75-3 coaxial cable
	Synchronisation	Internal
	OSD Menu	Support
Alarm Interface	N/A	
Video	Video Compression	H.264 / MJPEG
	Resolution	720p (1280x720) / D1 (704x576)
	Frame Rate	720p (25fps)
	Video Output	BNC CVI HD output / CVBS SD output (switchable)
Environment	Ingress Protection	IP66
	Vandal Resistant	No
	Maximum Infrared Range	20m
	Power Input	DC12V±10%
	Power Consumption	< 3.5W
	Dimensions	Ø114 x 86mm
	Weight	0.30kg
	Operating Environment	-30° to 60°C / RH95% (max)



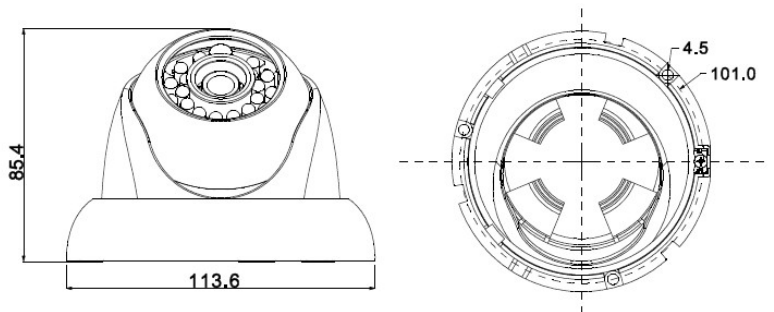
## Product Overview

The Securview Victory Series VSCVI1MPDIR is a 1.3 megapixel, fixed lens, infrared dome camera and is capable of providing 720p High Definition footage over coaxial cable.

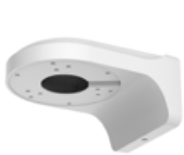
It uses the HDCVI video transmission standard which enables transmission distance up to 500m (720p using 75-3 coax) with low latency and low interference.

Its compact size and IP66 rating makes it a perfect surveillance solution across a wide range of applications.

This camera is only compatible with digital video recorders in the Securview Victory Series.



## Product Accessories (optional)



VSBKT200W



VSBKTA130



VSBKTA151

# 1080p Full HD 100m Infrared HDCVI PTZ Camera

Model: VSCVI2MPPTZIR



Full HD  
1080



## Product Overview

The Securview Victory Series VSCVI2MPPTZIR is a 2.0 megapixel, 100m infrared, motorised varifocal lens, pan-tilt-zoom dome camera and is capable of providing 1080p Full High Definition footage over coaxial cable.

It uses the HDCVI video transmission standard which enables HD video transmission up to 300m (1080p quality using 75-3 coax) with low latency and low interference. Its fast 20x optical zoom and pan/tilt capabilities allow for effective surveillance of multiple locations size.

It also has an IP66 rating, making it a perfect surveillance solution across indoor and outdoor environments.

This camera is only compatible with digital video recorders in the Securview Victory Series.

## Product Accessories



VSBKT64FB  
(standard)

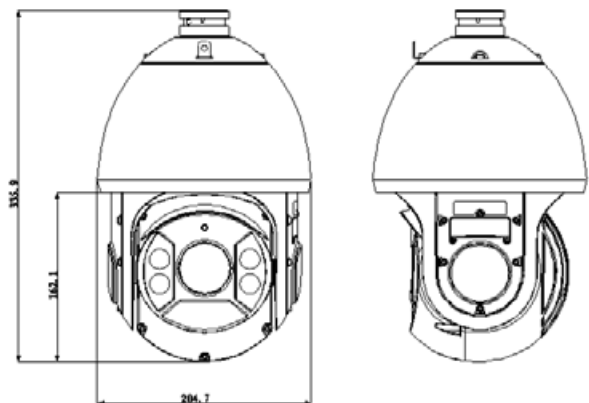


VSBKTB300C



VSBKTA151

Specifications		
General	Camera Style	Weatherproof Infrared PTZ Dome
	Image Sensor	1/2.8" 2.0 Megapixel Exmor CMOS
	Effective Pixels	1920 (H) x 1080 (V)
	Signal Noise Ratio	> 50dB
Camera	Lens	4.7 ~ 94mm (20x Optical zoom)
	Angle of View	54.1° (wide) ~ 3.2° (tele)
	Electronic Shutter	1/1 ~ 1/30,000s
	Minimum Illumination	0.05 Lux at F1.4 (Colour) / 0 Lux IR Active
	Day/Night	Auto (ICR) / Colour / B&W
	White Balance	Auto, ATW, Indoor, Outdoor, Manual
	Noise Reduction	2D / 3D
	Gain Control	Auto/Manual
	Backlight Compensation	BLC / HLC / DWDR
	Audio Input	Single channel input
	RS485	Single channel input
	Transmission Distance	Up to 300m via 75-3 coaxial cable
	Synchronisation	Internal
	OSD Menu	Support
Video	Alarm Interface	2 Channel Input / 1 Channel Output
	Video Compression	H.264 / MJPEG
	Resolution	1080p (1920x1080) / 720p (1280x720) / D1 (704x576)
	Frame Rate	1080p / 720p (25fps)
PTZ	Video Output	BNC CVI HD output / CVBS SD output (switchable)
	Pan/Tilt Range	Pan: 0° ~ 360° endless / Tilt: -15° ~ 90° / Auto-flip 180°
	Preset Speed	Pan: 240°/s; Tilt: 200°/s
	Manual Speed	Pan: 0.1° ~ 160°/s; Tilt: 0.1° ~ 120°/s
	PTZ Mode	5 Pattern / 8 Tour / Auto Pan / Auto Scan
	Preset	80(DH-SD) / 255(Pelco-P/D)
	Protocol	DH-SD / Pelco-P/D (Auto Recognition)
Environment	Ingress Protection	IP66
	Vandal Resistant	No
	Maximum Infrared Range	100m (2 x near IR LED / 4 x far IR LED)
	Power Input	AC24V/2.2A ±10%
	Power Consumption	10.5W / 26W (IR & Heater on)
	Dimensions	Ø205 x 360mm
	Weight	7.5kg
Operating Environment	-40° to 60°C / RH90% (max)	



# 720p HD 100m Infrared HDCVI PTZ Camera

Model: VSCVI1MPPTZIR



## Product Overview

The Securview Victory Series VSCVI1MPPTZIR is a 1.3 megapixel, 100m infrared, motorised varifocal lens, pan-tilt-zoom dome camera and is capable of providing 720p High Definition footage over coaxial cable.

It uses the HDCVI video transmission standard which enables HD video transmission up to 500m (720p quality using 75-3 coax) with low latency and low interference. Its fast 20x optical zoom and pan/tilt capabilities allow for effective surveillance of multiple locations size.

It also has an IP66 rating, making it a perfect surveillance solution across indoor and outdoor environments.

This camera is only compatible with digital video recorders in the Securview Victory Series.

## Product Accessories



VSBKT64FB  
(standard)

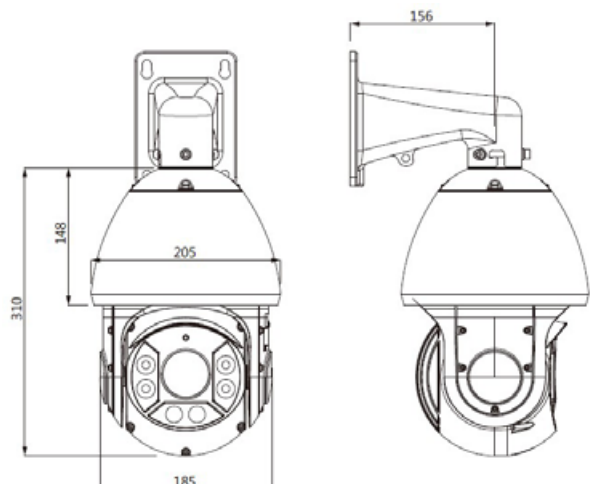


VSBKT300C



VSBKTA151

Specifications			
General	Camera Style	Weatherproof Infrared PTZ Dome	
	Image Sensor	1/3" 1.3 Megapixel Exmor CMOS	
	Effective Pixels	1280 (H) x 960 (V)	
	Signal Noise Ratio	> 50dB	
Camera	Lens	4.7 ~ 94mm (20x Optical zoom)	
	Angle of View	54.1° (wide) ~ 3.2° (tele)	
	Electronic Shutter	1/1 ~ 1/30,000s	
	Minimum Illumination	0.05 Lux at F1.4 (Colour) / 0 Lux IR Active	
	Day/Night	Auto (ICR) / Colour / B&W	
	White Balance	Auto, ATW, Indoor, Outdoor, Manual	
	Noise Reduction	2D / 3D	
	Gain Control	Auto/Manual	
	Backlight Compensation	BLC / HLC / DWDR	
	Audio Input	Single channel input	
	RS485	Single channel input	
	Transmission Distance	Up to 500m via 75-3 coaxial cable	
	Synchronisation	Internal	
	OSD Menu	Support	
Alarm Interface	2 Channel Input / 1 Channel Output		
Video	Video Compression	H.264 / MJPEG	
	Resolution	720p (1280x720) / D1 (704x576)	
	Frame Rate	720p (25fps)	
	Video Output	BNC CVI HD output / CVBS SD output (switchable)	
	Pan/Tilt Range	Pan: 0° ~ 360° endless / Tilt: -15° ~ 90° / Auto-flip 180°	
PTZ	Preset Speed	Pan: 240°/s; Tilt: 200°/s	
	Manual Speed	Pan: 0.1° ~ 160°/s; Tilt: 0.1° ~ 120°/s	
	PTZ Mode	5 Pattern / 8 Tour / Auto Pan / Auto Scan	
	Preset	80(DH-SD) / 255(Pelco-P/D)	
	Protocol	DH-SD / Pelco-P/D (Auto Recognition)	
	Environment	Ingress Protection	IP66
		Vandal Resistant	No
Maximum Infrared Range		100m (2 x near IR LED / 4 x far IR LED)	
Power Input		AC24V/3A ±10%	
Power Consumption		10.5W / 26W (IR & Heater on)	
Dimensions		Ø205 x 336mm	
Weight		7.5kg	
Operating Environment		-40° to 60°C / RH90% (max)	







# Analogue to HD Upgrade.

## 4 Channel 720p HDCVI Complete Surveillance Kit

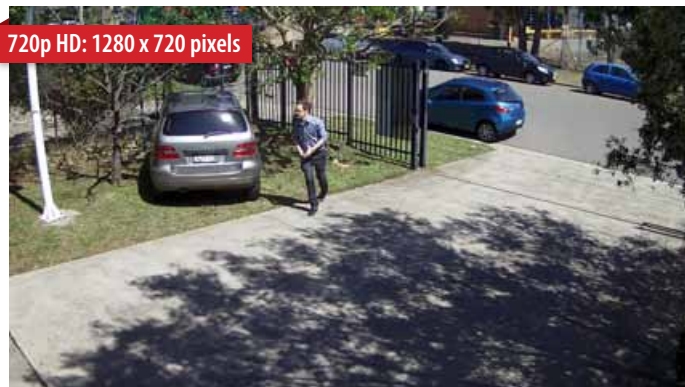
**Model: CVR4PACK2**

- 4 x 1.3 megapixel weatherproof bullets
- Pre-installed 1TB surveillance HDD
- Backup via USB device or local network
- Utilises HDCVI video transmission standard
- Record 720p (1280 x 720) at 25fps
- HDMI and VGA video outputs
- Remote view configuration via QR code
- View on iOS, Android & Windows Phone devices

### Upgrade from analogue to more than double your image resolution!

Experience your moment of victory:

- Upgrade your system
- Boost image resolution
- Capture fine detail
- Get usable evidence
- Enjoy peace of mind



# 4 Channel 720p HDCVI Complete Surveillance Kit

Model: CVR4PACK2



## Product Overview

The CVR4PACK2 is a 4 channel surveillance system capable of 720p HD recording over coax cable at 25fps. It features a compact DVR with HDMI and VGA outputs as well as a preinstalled 1TB surveillance hard drive. This DVR also has comprehensive remote view (iOS, Android & Windows Phone) and backup functionality (USB/network).

The CVR4PACK2 is an ideal analogue to HD-video-over-coax upgrade package that enables you rapidly boost the image resolution of an existing analogue installation to high definition.

Victory Series products utilise the HDCVI video transmission standard, delivering video, audio and data across a single coaxial cable (RG59 / RG6 75-3 preferred). This also allows for up to 500m transmission distances for 720p HD video streams using standard coaxial cable (300m for 1080p video).

The CVR4PACK2 includes 4 weatherproof, 3.6mm fixed lens (70°), 20m infrared range, 1.3 megapixel cameras that are ideal for use in a multitude of applications. They can record at maximum resolution of 720p (1280 x 720), more than double the resolution when compared to traditional D1 analogue systems (720 x 576) and up to 9x greater versus CIF (352 x 288).

This kit does not include coaxial cable, splitters or camera power supplies. For new installs, one Victory Series accessory kit is required per 4 cameras (CVR4ACCPACK).

### Specifications - Digital Video Recorder

System	Main Processor	Embedded processor
	Operating System	Embedded Linux OS
	Video Input	4 channel BNC
	Audio Input	4 channel RCA
	Audio Output	1 channel RCA
Display	Video Output	1 HDMI / 1 VGA
	Preview Resolution	1920 x 1080, 1280 x 1024, 1280 x 720, 1024 x 768, 800 x 600
	Display Split	1 / 4
Recording	OSD	Title, time, video loss, camera lock, motion detection
	Video/Audio Compression	H.264 / G.711
	Record Resolution	1080p (1920 x 1080) / 720p (1280 x 720)
	Record Rate	Main: 1080p (1~12fps), 720p (1~25fps) / Sub: D1 (1~12fps)
	Record Modes	Manual / Schedule (Regular [Continuous], MD) / Stop
Backup & Network	Backup Modes	USB Device / Network
	Ethernet	RJ-45 port (10/100M)
	Max. User Access	128 users
Storage	Remote View	iOS (iPhone, iPad); Android devices, Windows Phone
	Internal HDD	1 SATA port / 1TB surveillance hard drive (installed)
Auxiliary	USB Interface	2 ports (1 Rear), USB2.0
	RS232	N/A
	RS485	1 port, for PTZ Control
General	Power Supply	DC12V/2A
	Operating Environment	-10 ~+55°C / 10~90%RH / 86~106kpa
	Dimensions	325mm x 245mm x 45mm (Mini 1U)
	Weight	1.5kg (without HDD)

### Specifications - Cameras

Camera	Cameras Included	4 x VSCVI1MPFBIR
	Image Sensor	1/3"1.3 Megapixel CMOS
	Lens	3.6mm Fixed Lens
	Angle of View	70°
	Minimum Illumination	0.05 Lux at F1.2 (Colour) / 0 Lux IR Active
	Day/Night	Auto (ICR) / Colour / B&W
	Transmission Distance	Over 500m via 75-3 coaxial cable
Video	Video Compression	H.264 / MJPEG
	Resolution	720p (1280x720) / D1 (704x576)
	Frame Rate	720p (25fps)
	Video Output	BNC CVI HD output / CVBS SD output (switchable)
General	Ingress Protection	IP66
	Vandal Resistant	No
	Maximum Infrared Range	20m
	Power Input	DC12V±10%
Operating Environment	-30° to 60°C / RH95% (max)	



**Upgrade to 1080p cameras for full HD recording.**  
 Max recording resolution: 1920 x 1080 at 12fps  
 Model: CVR4PACK2F





# Megapixel CCTV over Coax.

## 8 Channel 720p HDCVI Complete Surveillance Kit

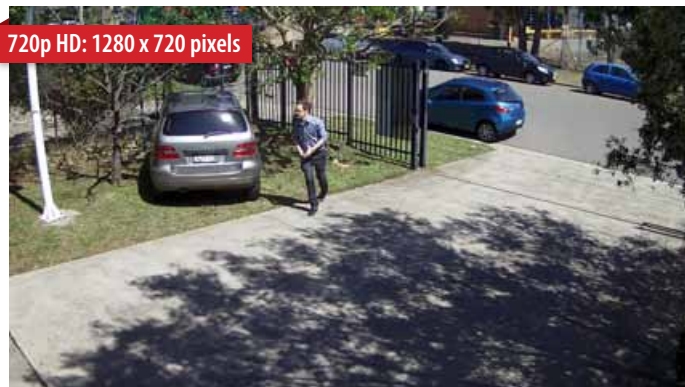
**Model: CVR8PACK2**

- 4 x 1.3 megapixel weatherproof bullets
- 4 x 1.3 megapixel weatherproof mini domes
- Pre-installed 2TB surveillance HDD
- Backup via USB device or local network
- Record 720p (1280 x 720) at 25fps
- HDMI and VGA video outputs
- Remote view configuration via QR code
- View on iOS, Android & Windows Phone devices

### Upgrade from analogue to more than double your image resolution!

Experience your moment of victory:

- Upgrade your system
- Boost image resolution
- Capture fine detail
- Get usable evidence
- Enjoy peace of mind





# 8 Channel 720p HDCVI Complete Surveillance Kit

Model: CVR8PACK2



## Product Overview

The CVR8PACK2 is an 8 channel surveillance system capable of 720p HD recording over coax cable at 25fps. It features a slim 1U DVR with HDMI and VGA outputs as well as a preinstalled 2TB surveillance hard drive. This DVR also has comprehensive remote view (iOS, Android & Windows Phone) and backup functionality (USB/network).

The CVR8PACK2 is an ideal analogue to HD-video-over-coax upgrade package that enables you rapidly boost the image resolution of an existing analogue installation to high definition.

Victory Series products utilise the HDCVI video transmission standard, delivering video, audio and data across a single coaxial cable (RG59 / RG6 75-3 preferred). This also allows for up to 500m transmission distances for 720p HD video streams using standard coaxial cable (300m for 1080p video).

The CVR8PACK2 includes 8 weatherproof, 3.6mm fixed lens (70°), 20m infrared range, 1.3 megapixel cameras that are ideal for use in a multitude of applications. They can record at maximum resolution of 720p (1280 x 720), more than double the resolution when compared to traditional D1 analogue systems (720 x 576) and up to 9x greater versus CIF (352 x 288).

This kit does not include coaxial cable, splitters or camera power supplies. For new installs, one Victory Series accessory kit is required per 4 cameras (CVR4ACCPACK).

Specifications - Digital Video Recorder		
System	Main Processor	Embedded processor
	Operating System	Embedded Linux OS
	Video Input	8 channel BNC
	Audio Input	4 channel RCA
Display	Audio Output	1 channel RCA
	Video Output	1 HDMI / 1 VGA
	Preview Resolution	1920 x 1080, 1280 x 1024, 1280 x 720, 1024 x 768, 800 x 600
	Display Split	1 / 4 / 8
Recording	OSD	Title, time, video loss, camera lock, motion detection
	Video/Audio Compression	H.264 / G.711
	Record Resolution	1080p (1920 x 1080) / 720p (1280 x 720)
	Record Rate	Main: 1080p (1~12fps), 720p (1~25fps) / Sub: D1 (1~12fps)
Backup & Network	Record Modes	Manual / Schedule (Regular [Continuous], MD) / Stop
	Backup Modes	USB Device / Network
	Ethernet	RJ-45 port (10/100M/1000M)
	Max. User Access	128 users
Storage	Remote View	iOS (iPhone, iPad); Android devices, Windows Phone
	Internal HDD	2 SATA ports / 2TB surveillance hard drive (installed)
Auxiliary	USB Interface	2 ports (1 Rear), USB2.0
	RS232	N/A
	RS485	1 port, for PTZ Control
General	Power Supply	DC12V/4A
	Operating Environment	-10 ~+55°C / 10~90%RH / 86~106kpa
	Dimensions	325mm x 245mm x 45mm (Mini 1U)
	Weight	2.35kg (without HDD)

Specifications - Cameras		
Camera	Cameras Included	4 x VSCVI1MPFBIR / 4 x VSCVI1MPDIR
	Image Sensor	1/3"1.3 Megapixel CMOS
	Lens	3.6mm Fixed Lens
	Angle of View	70°
	Minimum Illumination	0.05 Lux at F1.2 (Colour) / 0 Lux IR Active
	Day/Night	Auto (ICR) / Colour / B&W
	Transmission Distance	Over 500m via 75-3 coaxial cable
Video	Video Compression	H.264 / MJPEG
	Resolution	720p (1280x720) / D1 (704x576)
	Frame Rate	720p (25fps)
	Video Output	BNC CVI HD output / CVBS SD output (switchable)
General	Ingress Protection	IP66
	Vandal Resistant	No
	Maximum Infrared Range	20m
	Power Input	DC12V±10%
Operating Environment	-30° to 60°C / RH95% (max)	

**Full HD 1080** Upgrade to 1080p cameras for full HD recording.  
 Max recording resolution: 1920 x 1080 at 12fps  
 Model: CVR8PACK2F



# Large Scale HD Over Coax.

## 16 Channel 720p HDCVI Complete Surveillance Kit

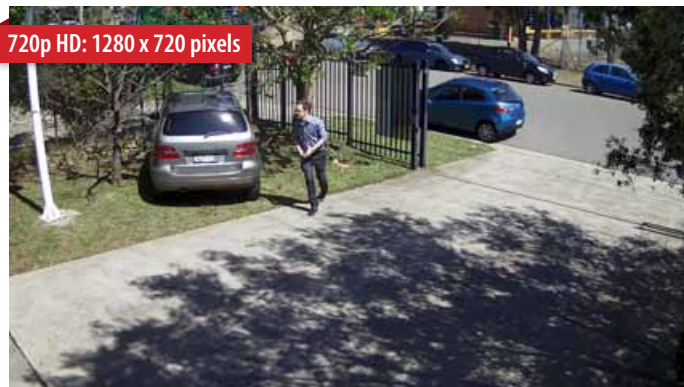
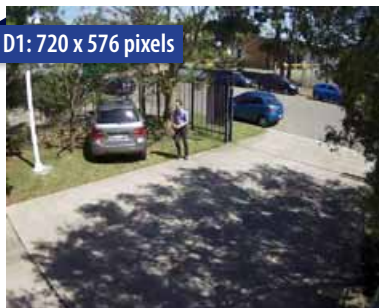
### Model: CVR16PACK2

- 8 x 1.3 megapixel weatherproof bullets
- 8 x 1.3 megapixel weatherproof mini domes
- Pre-installed 2TB surveillance HDD
- Backup via USB device or local network
- Record 720p (1280 x 720) at 25fps
- HDMI, VGA and BNC video outputs
- Remote view configuration via QR code
- View on iOS, Android & Windows Phone devices

## Upgrade from analogue to more than double your image resolution!

Experience your moment of victory:

- Upgrade your system
- Boost image resolution
- Capture fine detail
- Get usable evidence
- Enjoy peace of mind





# 16 Channel 720p HDCVI Complete Surveillance Kit

Model: CVR16PACK2



## Product Overview

The CVR16PACK2 is a 16 channel surveillance system capable of 720p HD recording over coax cable at 25fps. It features a slim 1U DVR with HDMI and VGA outputs as well as a preinstalled 2TB surveillance hard drive. This DVR also has comprehensive remote view (iOS, Android & Windows Phone) and backup functionality (USB/network).

The CVR16PACK2 is an ideal analogue to HD-video-over-coax upgrade package that enables you rapidly boost the image resolution of an existing analogue installation to high definition.

Victory Series products utilise the HDCVI video transmission standard, delivering video, audio and data across a single coaxial cable (RG59 / RG6 75-3 preferred). This also allows for up to 500m transmission distances for 720p HD video streams using standard coaxial cable (300m for 1080p video).

The CVR16PACK2 includes 16 weatherproof, 3.6mm fixed lens (70°), 20m infrared range, 1.3 megapixel cameras that are ideal for use in a multitude of applications. They can record at maximum resolution of 720p (1280 x 720), more than double the resolution when compared to traditional D1 analogue systems (720 x 576) and up to 9x greater versus CIF (352 x 288).

This kit does not include coaxial cable, splitters or camera power supplies. For new installs, one Victory Series accessory kit is required per 4 cameras (CVR4ACCPACK).

### Specifications - Digital Video Recorder

System	Main Processor	Embedded processor
	Operating System	Embedded Linux OS
	Video Input	16 channel BNC
	Audio Input	4 channel RCA
	Audio Output	1 channel RCA
Display	Video Output	1 HDMI / 1 VGA
	Preview Resolution	1920 x 1080, 1280 x 1024, 1280 x 720, 1024 x 768, 800 x 600
	Display Split	1 / 4 / 8 / 9 / 16
	OSD	Title, time, video loss, camera lock, motion detection
Recording	Video/Audio Compression	H.264 / G.711
	Record Resolution	1080p (1920 x 1080) / 720p (1280 x 720)
	Record Rate	Main: 1080p (1~12fps), 720p (1~25fps) / Sub: D1 (1~12fps)
	Record Modes	Manual / Schedule (Regular [Continuous], MD) / Stop
Backup & Network	Backup Modes	USB Device / Network
	Ethernet	RJ-45 port (10/100M/1000M)
	Max. User Access	128 users
	Remote View	iOS (iPhone, iPad); Android devices, Windows Phone
Storage	Internal HDD	2 SATA ports / 2TB surveillance hard drive (installed)
Auxiliary	USB Interface	2 ports (1 Rear), USB2.0
	RS232	N/A
	RS485	1 port, for PTZ Control
General	Power Supply	DC12V/5A
	Operating Environment	-10 ~ +55°C / 10~90%RH / 86~106kpa
	Dimensions	375mm x 285mm x 45mm (1U)
	Weight	2.35kg (without HDD)

### Specifications - Cameras

Camera	Cameras Included	8 x VSCV11MPFBIR / 8 x VSCV11MPDIR
	Image Sensor	1/3"1.3 Megapixel CMOS
	Lens	3.6mm Fixed Lens
	Angle of View	70°
	Minimum Illumination	0.01 Lux at F1.2 (Colour) / 0 Lux IR Active
	Day/Night	Auto (ICR) / Colour / B&W
	Transmission Distance	Over 500m via 75-3 coaxial cable
	Video	Video Compression
Resolution		720p (1280x720) / D1 (704x576)
Frame Rate		720p (25fps)
Video Output		BNC CVI HD output / CVBS SD output (switchable)
General	Ingress Protection	IP66
	Vandal Resistant	No
	Maximum Infrared Range	20m
	Power Input	DC12V±10%
Operating Environment	-30° to 60°C / RH95% (max)	



**Upgrade to 1080p cameras for full HD recording.**  
 Max recording resolution: 1920 x 1080 at 12fps  
 Model: CVR16PACK2F



# Surveillance Camera Accessories

The Securview Victory Series has a comprehensive set of brackets and adapters to compliment the surveillance cameras. These include right angle wall brackets, pole mount brackets, wall corner mount brackets, ceiling mount brackets, junction boxes and more. Use the reference chart below for a full compatibility guide.

## Bullet Cameras



VSCV11/2MPFBIRV2



VSCV11/2MPFBIRM



VSBKTA130



VSBKTA122



VSBKTA150



VSBKTA152

## Dome Cameras



VSCV11/2MPVDIRM



VSCV11/2MPVDIR



VSCV11/2MPDIRV2



VSBKTA123



VSBKTA131



VSBKTA130



VSBKTB200W



VSBKTA152



VSBKTA151

## PTZ Dome Cameras



VSCV11/2MPPTZIR



VSBKTFB64 (included)



VSBKTA114



VSBKTB300C



VSBKTA113  
(420mm)



VSBKTA112  
(220mm)

# Experience your moment of victory™



Product range, features and specifications in this document are subject to change.  
For more information, visit [www.securview.biz](http://www.securview.biz)

# SECURVIEW™

## VICTORY SERIES

Experience your moment of victory™



Your Securview Victory Series surveillance dealer:

[www.securview.biz](http://www.securview.biz)